

Application

Designed for installation on potable water lines to protect against backsiphonage of contaminated water into the potable water supply. Assembly shall provide protection where a potential health hazard exists.

Standards Compliance

- ASSE® Listed 1020
- IAPMO® Listed
- CSA @ Certified
- Approved by the Foundation for Cross-Connection Control and Hydraulic Research at the University of Southern California

Materials

Main valve body	Cast Bronze ASTM B584
Fasteners	Stainless Steel, 300 Series
Elastomers	Silicone (FDA approved) Buna Nitrile (FDA approved)
Polymers	Polypropylene (FDA approved)
Springs	Delrin® (FDA approved) Stainless Steel, 300 series



Options (Suffixes can be combined)

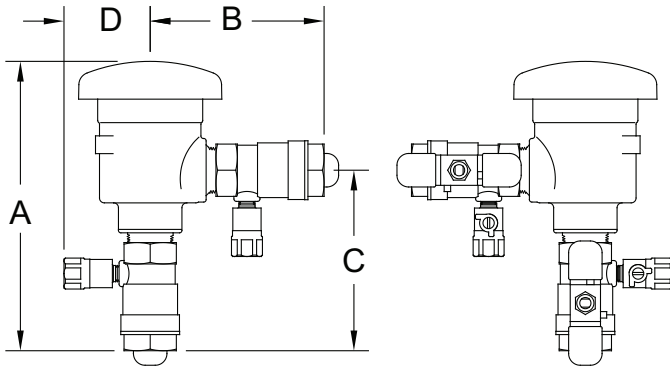
- with full port QT ball valves (standard)

Accessories

- Repair kit (complete)
 Water Hammer Arrester (Model 1250)
 QT-SET Quick Test Fitting Set

Features

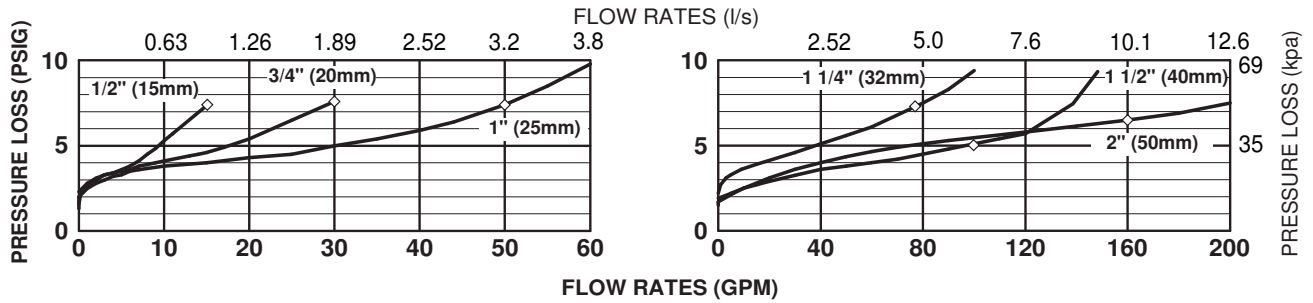
Sizes:	1/2", 3/4", 1", 1 1/4", 1 1/2", 2"
Maximum working water pressure	150 PSI
Maximum working water temperature	110°F
Hydrostatic test pressure	300 PSI
End connections threaded	ANSI B1.20.1



Dimensions & Weights (do not include pkg.)

MODEL SIZE		DIMENSIONS (approximate)								WEIGHT			
		A		B		C		D		LESS BV		WITH BV	
in.	mm	in.	mm	in.	mm	in.	mm	in.	mm	lbs.	kg	lbs.	kg
1/2	15	7 1/8	181	4 1/16	103	4 1/4	108	2 1/4	57	4	1.8	6	2.7
3/4	20	7 3/16	183	4 5/16	110	4 5/16	110	2 3/8	60	4	1.8	6	2.7
1	25	7 3/4	197	4 5/8	117	4 3/4	121	2 5/8	67	4	1.8	8	3.6
1 1/4	32	11	279	7 7/16	189	7 7/16	189	3 1/8	79	14	6.4	20	9
1 1/2	40	10 1/2	267	7	178	7	178	3 1/8	79	14	6.4	20	9
2	50	11 1/16	281	7 9/16	192	7 11/16	195	3 1/8	79	14	6.4	26	10.4

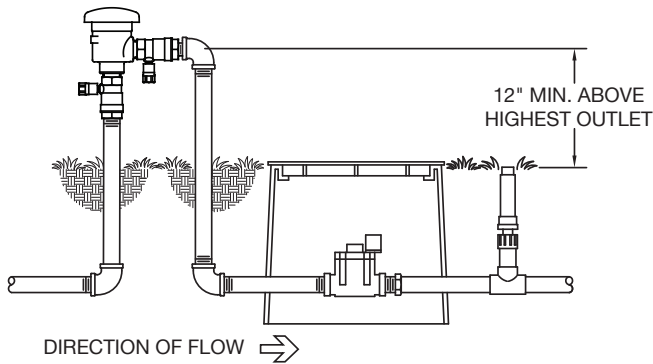
MODEL 720A 1/2", 3/4", 1", 1 1/4", 1 1/2" & 2" (STANDARD & METRIC)



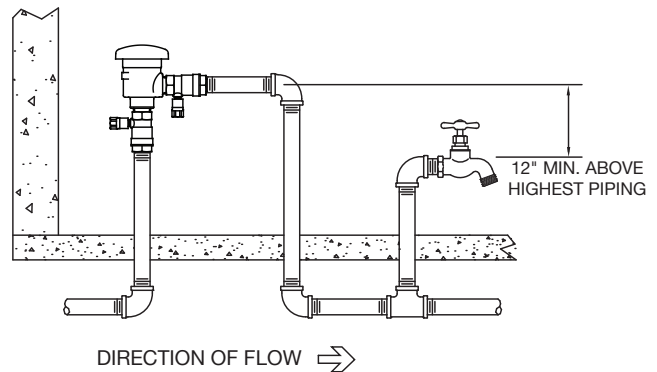
Typical Installation

Local codes shall govern installation requirements. Unless otherwise specified, the assembly shall be mounted at a minimum of 12" (305mm) above the highest piping or outlet downstream of the device. Install with adequate drain and sufficient side clearance for testing and maintenance. The installation shall be made so that no part of the unit can be submerged. A pressure vacuum breaker cannot be installed where back-pressure could occur or where spillage of water from vent could cause damage.

Capacity thru Schedule 40 Pipe				
Pipe size	5 ft/sec	7.5 ft/sec	10 ft/sec	15 ft/sec
1/8"	1	1	2	3
1/4"	2	2	3	5
3/8"	3	4	6	9
1/2"	5	7	9	14
3/4"	8	12	17	25
1"	13	20	27	40
1 1/4"	23	35	47	70
1 1/2"	32	48	63	95
2"	52	78	105	167



OUTDOOR INSTALLATION



INDOOR INSTALLATION

Specifications

The Pressure Vacuum Breaker shall be ASSE 1020 approved, and supplied with full port ball valves. The main body and bonnet shall be bronze (ASTM B584), the loaded-air inlet shall use a silicone elastomer spring and seat disc. The entire assembly shall be accessible for maintenance and testing without removing the device from the line. The Pressure Vacuum Breaker shall be a WILKINS Model 720A.