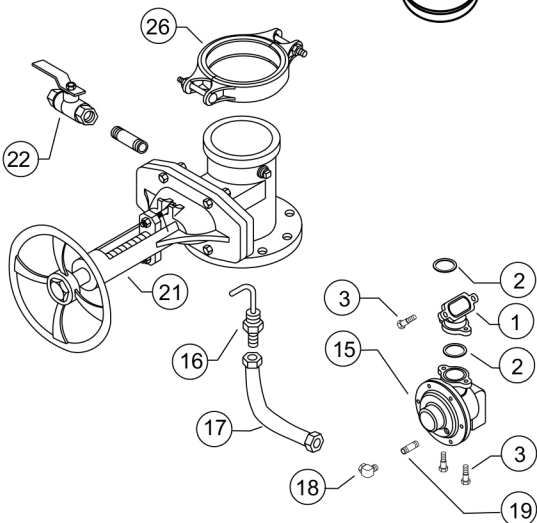
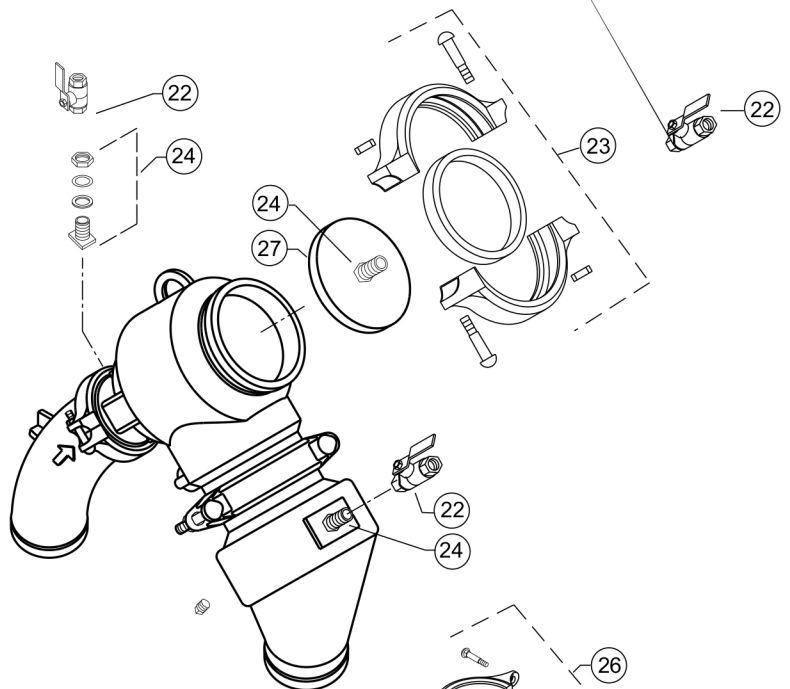
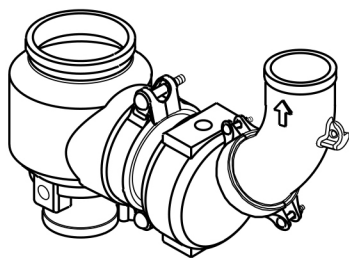
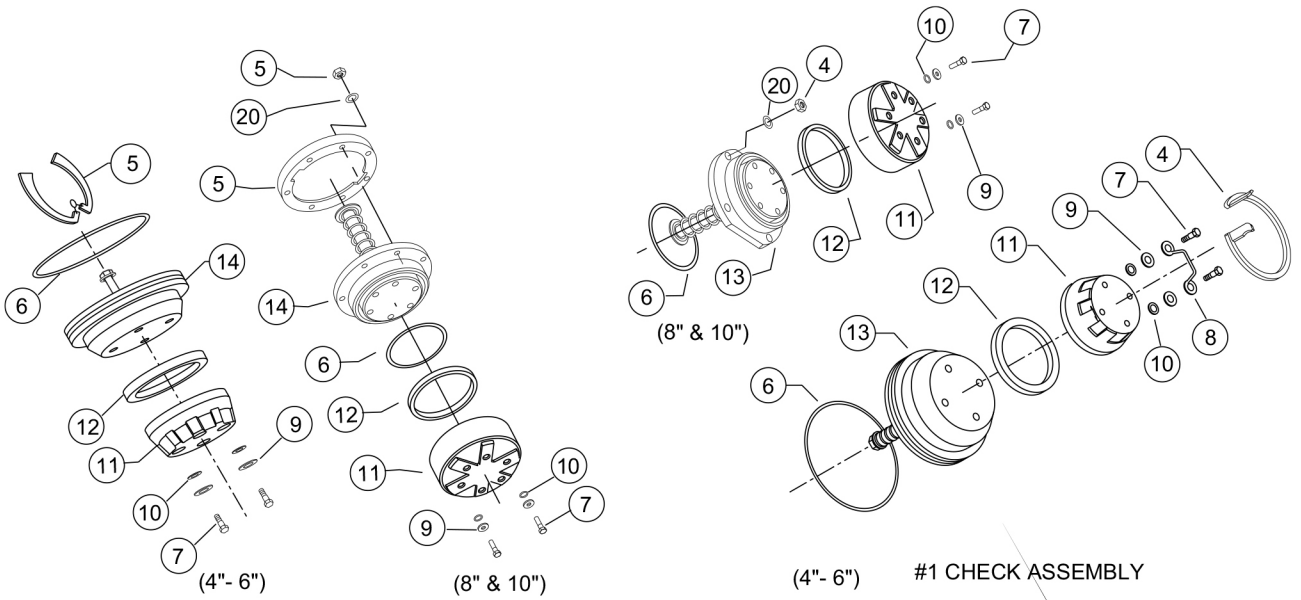


MODEL 475 and 475V

Reduced Pressure Principle – Backflow Preventers 4" to 10"

Parts Drawing





MODEL 475 and 475V

Reduced Pressure Principle – Backflow Preventers 4" to 10"

Repair Kit Components		4"						4" and 6"		6"						8" and 10"						4" - 10"		
Size Range		RK4-350	RK4-375CK1	RK4-350CK2	RK4-375-SEAT1-ASSY	RK4-350-SEAT2-ASSY	BRK4-LBF-SEAT1RTNR	BRK4-LBF-SEAT2RTNR	RK4-RV475-HOSE	RK212-RV475-ASSY	RK6-350	RK6-375CK1	RK6-350CK2	RK6-375-SEAT1-ASSY	RK6-350-SEAT2-ASSY	BRK6-LBF-SEAT1RTNR	BRK6-LBF-SEAT2RTNR	RK8-350	RK8-375CK1	RK8-350CK2	RK8-375-SEAT1-ASSY	RK8-RV475-HOSE	RK8-RV475-ASSY	RK4-475-TUBE-ASSY
4"		•	•	•	•	•	•	•	•															•
6"								•	•	•	•	•	•	•	•	•	•							•
8"																		•	•	•	•	•	•	•
10"																		•	•	•	•	•	•	•
Item #	Item Description																							
1	Relief Valve Elbow								•															•
2	O-Ring, Elbow/Relief Valve								•(x2)															•(x2)
3	Bolt, Elbow/Relief Valve								•(x4)															•(x4)
4	Seat Retainer Assembly #1		•				•(x6)				•					•(x6)			•(x4)	•(x7)				
5	Seat Retainer Assembly #2			•				•(x6)				•				•(x6)								
6	O-Ring, Seat Assembly	•(x2)	•	•						•(x2)	•	•					•(x2)	•	•					
7	Bolt, Poppet Retainer		•(x4)	•(x4)							•(x4)	•(x4)						•(x6)	•(x6)					
8	Handle, #1 Poppet Assembly		•								•													
9	Washer, Poppet Retainer		•(x4)	•(x4)							•(x4)	•(x4)							•(x6)	•(x6)				
10	O-Ring, Poppet Retainer	•(x8)	•(x4)	•(x4)						•(x8)	•(x4)	•(x4)						•(x12)	•(x6)	•(x6)				
11	Poppet Retainer		•	•							•	•							•	•				
12	Seal Ring	•(x2)	•	•						•(x2)	•	•						•(x2)	•	•				
13	Seat Assembly #1 Poppet		•		•						•		•						•		•			
14	Seat Assembly #2 Poppet			•		•						•		•						•				
15	Relief Valve Assembly								•														•	
16	Pitot Tube Assembly																							•
17	Sensing Tube								•															
18	Elbow								•															•
19	Nipple								•															•
20	Washer, Seat Retainer																	•(x4)	•(x7)					

Whole Goods (Available for individual sale)					
Item #	Item Description	4"	6"	8"	10"
21	Gate Valve, NRS (GXG)	4-48G	6-48G	8-48G	10-48G
	Gate Valve, NRS (GXF)	4-48GXF	6-48GXF	8-48GXF	10-48GXF
	Gate Valve, OS&Y (GandG)	4-48OSYG	6-48OSYG	8-48OSYG	10-48OSY
	Gate Valve, OS&Y (GXF)	4-48OSYGXF	6-48OSYGXF	8-48OSYGXF	10-48OSYGXF
	Butterfly Valve (GxG)	4-49G	6-49G	8-49G	10-49G
	Butterfly Valve (GXF)	4-49GXF	6-49GXF	8-49GXF	10-49GXF
22	Ball Valve, FxF	12-850XL		34-850XL	
23	Cover Retainer Assembly	6-23	8-23		12-23
24	Bulkhead Fitting Assembly	BHF1CXL-100		BHF2BXL-100	
25	Sensing Bulkhead Fitting		BHF1BXL-100		BHF2CXL-100
26	Grooved Coupling	4-23	6-23	8-23	10-23
27	Cover	RK4-LBF-VALVE-COVER	RK6-LBF-VALVE-COVER		RK8-LBF-VALVE-COVER

Item No.	Repair Kit Description
4"	
RK4-350	Standard Repair Kit, 4" 475 and 475V
RK4-375CK1	#1 Check Assembly Repair Kit, 4" 475 and 475V
RK4-350CK2	#2 Check Assembly Repair Kit, 4" 475 and 475V
RK4-375-SEAT1-ASY	#1 Check Assembly Repair Kit, 4" 475 and 475V
RK4-350-SEAT2-ASSY	#2 Check Assembly Repair Kit, 4" 475 and 475V
BRK4-LBF-SEAT1RTNR	Bulk #1 Seat Retainer Repair Kit, 4" 475 and 475V
BRK4-LBF-SEAT2RTNR	Bulk #2 Seat Retainer Repair Kit, 4" 475 and 475V
4" and 6"	
RK4-RV475-HOSE	Braided Hose Repair Kit, 4" and 6" 475 and 475V
RK212-RV-ASSY	Relief Valve Assembly Repair Kit, 4" and 6" 475 and 475V

Item No.	Repair Kit Description
6"	
RK6-350	Standard Repair Kit, 6" 475 and 475V
RK6-375CK1	#1 Check Assembly Repair Kit, 6" 475 and 475V
RK6-350CK2	#2 Check Assembly Repair Kit, 6" 475 and 475V
RK6-375-SEAT1-ASSY	#1 Check Assembly Repair Kit, 6" 475 and 475V
RK6-350-SEAT2-ASSY	#2 Check Assembly Repair Kit, 6" 475 and 475V
BRK6-LBF-SEAT1RTNR	Bulk #1 Seat Retainer Repair Kit, 6" 475 and 475V
BRK6-LBF-SEAT2RTNR	Bulk #2 Seat Retainer Repair Kit, 6" 475 and 475V

Item No.	Repair Kit Description
8" and 10"	
RK8-350	Standard Repair Kit, 8" and 10" 475 and 475V
RK8-375CK1	#1 Check Assembly Repair Kit, 8" and 10" 475 and 475V
RK8-350CK2	#2 Check Assembly Repair Kit, 8" and 10" 475 and 475V
RK8-375-SEAT1-ASY	#1 Check Assembly Repair Kit, 8" and 10" 475 and 475V
RK8-RV475-HOSE	Braided Hose Repair Kit, 8" and 10" 475 and 475V
RK8-RV475-ASSY	Relief Valve Assembly Repair Kit, 8" and 10" 475 and 475V
4" - 10"	
RK4-475-TUBE-ASSY	Pitot Tube Assembly Repair Kit, 4" - 10" 475 and 475V



www.BackflowPartsUSA.com

AZ 888-396-6202

CA 909-316-7057