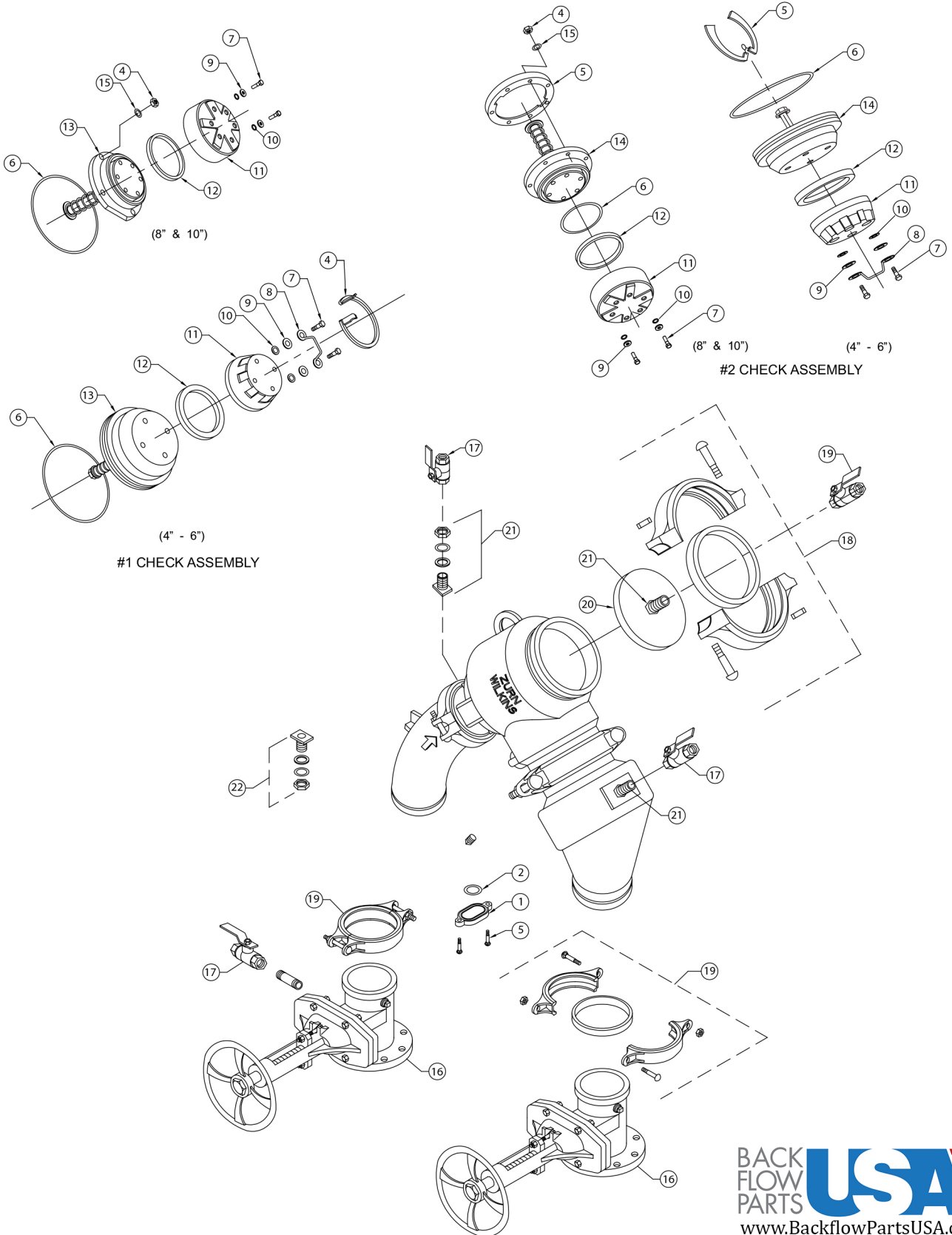


MODEL 450



Double Check – Backflow Preventers 4" to 10"

Parts Drawing



(8" & 10")

(4" - 6")

#1 CHECK ASSEMBLY

(8" & 10")

(4" - 6")

#2 CHECK ASSEMBLY



www.BackflowPartsUSA.com

AZ 888-396-6202

CA 909-316-7057



MODEL 450

Double Check – Backflow Preventers 4" to 10"

| Repair Kit Components | | 4" | | | | | | 4" and 6" | 6" | | | | | | 8" and 10" | | | | |
|-----------------------|----------------------------|---------|------------|------------|--------------------|--------------------|--------------------|----------------------|---------|------------|------------|--------------------|--------------------|--------------------|------------|------------|------------|--------------------|--------------------|
| Size Range | | RK4-350 | RK4-350CK1 | RK4-350CK2 | RK4-350-SEAT2-ASSY | BRK4-LBF-SEAT1RTNR | BRK4-LBF-SEAT2RTNR | RK212-450-COVERPLATE | RK6-350 | RK6-350CK1 | RK6-350CK2 | RK6-350-SEAT2-ASSY | BRK6-LBF-SEAT1RTNR | BRK6-LBF-SEAT2RTNR | RK8-350 | RK8-350CK1 | RK8-350CK2 | RK8-350-SEAT1-ASSY | RK8-350-COVERPLATE |
| 4" | | • | • | • | • | • | • | | | | | | | | | | | | |
| 6" | | | | | | | • | • | • | • | • | • | • | | | | | | |
| 8" | | | | | | | | | | | | | | • | • | • | • | • | • |
| 10" | | | | | | | | | | | | | | • | • | • | • | • | • |
| Item # | Item Description | | | | | | | | | | | | | | | | | | |
| 1 | Cover Plate | | | | | | • | | | | | | | | | | | | • |
| 2 | O-Ring, Cover Plate | | | | | | • | | | | | | | | | | | | • |
| 3 | Bolt, Cover Plate | | | | | | •(x2) | | | | | | | | | | | | •(x2) |
| 4 | Seat Retainer #1 | | • | | | •(x6) | | | • | | | •(x6) | | | •(x4) | •(x7) | | | |
| 5 | Seat Retainer #2 | | | • | | | | •(x6) | | | | | •(x6) | | | | | | |
| 6 | O-Ring, Seat | •(x2) | • | • | | | | •(x2) | • | • | | | | •(x2) | • | • | | | |
| 7 | Bolt, Poppet Retainer | | •(x4) | •(x4) | | | | | •(x4) | •(x4) | | | | | | | | | |
| 8 | Handle, #1 Poppet Assembly | | • | | | | | | • | • | | | | | | | | | |
| 9 | Washer, Poppet Retainer | | •(x4) | •(x4) | | | | | •(x4) | •(x4) | | | | | •(x6) | •(x6) | | | |
| 10 | O-Ring, Poppet Retainer | •(x8) | •(x4) | •(x4) | | | | •(x8) | •(x4) | •(x4) | | | | •(x2) | •(x6) | •(x6) | | | |
| 11 | Poppet Retainer | | • | • | | | | | • | • | | | | | • | • | | | |
| 12 | Seal Ring | •(x2) | • | • | | | | •(x2) | • | • | | | | •(x2) | • | • | | | |
| 13 | Seat Assembly #1 Poppet | | • | | | | | | • | | | | | | • | • | • | | |
| 14 | Seat Assembly #2 Poppet | | | • | • | | | | | • | • | | | | | | | | |
| 15 | Washer, Seat | | | | | | | | | | | | | | •(x4) | •(x7) | | | |

| Whole Goods (Available for individual sale) | | | | | |
|---|-------------------------------|---------------------|---------------------|------------|---------------------|
| Item # | Item Description | 4" | 6" | 8" | 10" |
| 16 | Gate Valve, NRS (GxG) | 4-48G | 6-48G | 8-48G | 10-48G |
| | Gate Valve, NRS (GxF) | 4-48GXF | 6-48GXF | 8-48GXF | 10-48GXF |
| | Gate Valve, OS&Y (GxG) | 4-48OSYG | 6-48OSYG | 8-48OSYG | 10-48OSY |
| | Gate Valve, OS&Y (GxF) | 4-48OSYGXF | 6-48OSYGXF | 8-48OSYGXF | 10-48OSYGXF |
| | Butterfly Valve (GxG) | 4-49G | 6-49G | 8-49G | 10-49G |
| | Butterfly Valve (GxF) | 4-49GXF | 6-49GXF | 8-49GXF | 10-49GXF |
| 17 | Ball Valve, FxF | 12-850XL | | 34-850XL | |
| 18 | Cover Retainer Assembly | 6-23 | 8-23 | | 12-23 |
| 19 | Grooved Coupling | 4-23 | 6-23 | 8-23 | 10-23 |
| 20 | Cover | RK4-LBF-VALVE-COVER | RK6-LBF-VALVE-COVER | | RK8-LBF-VALVE-COVER |
| 21 | Bulkhead Fitting | BHF1CXL-100 | BHF2BXL-100 | | BHF2CXL-100 |
| 22 | Sensing Line Bulkhead Fitting | | BHF1BXL-100 | | BHF2CXL-100 |

| Item No. | Repair Kit Description |
|----------------------|--|
| 4" | |
| RK4-350 | Standard Repair Kit, 4" 450 |
| RK4-350CK1 | #1 Check Assembly Repair Kit, 4" 450 |
| RK4-350CK2 | #2 Check Assembly Repair Kit, 4" 450 |
| RK4-350-SEAT2-ASSY | #2 Check Assembly Repair Kit, 4" 450 |
| BRK4-LBF-SEAT1RTNR | Bulk #1 Seat Retainer Repair Kit, 4" 450 |
| BRK4-LBF-SEAT2RTNR | Bulk #2 Seat Retainer Repair Kit, 4" 450 |
| 4" and 6" | |
| RK212-450-COVERPLATE | Cover Plate Repair Kit, 4" and 6" 450 |
| 6" | |
| RK6-350 | Standard Repair Kit, 6" 450 |
| RK6-350CK1 | #1 Check Assembly Repair Kit, 6" 450 |
| RK6-350CK2 | #2 Check Assembly Repair Kit, 6" 450 |
| RK6-350-SEAT2-ASSY | #2 Check Assembly Repair Kit, 6" 450 |
| BRK6-LBF-SEAT1RTNR | Bulk #1 Seat Retainer Repair Kit, 6" 450 |
| BRK6-LBF-SEAT2RTNR | Bulk #2 Seat Retainer Repair Kit, 6" 450 |
| 8" and 10" | |
| RK8-350 | Standard Repair Kit, 8" and 10" 450 |
| RK8-350CK1 | #1 Check Assembly Repair Kit, 8" and 10" 450 |
| RK8-350CK2 | #2 Check Assembly Repair Kit, 8" and 10" 450 |
| RK8-350-SEAT1-ASSY | #2 Check Assembly Repair Kit, 8" and 10" 450 |
| RK8-350-COVERPLATE | Cover Plate Repair Kit, 8" and 10" 450 |