

Series 709

Double Check Valve Assemblies

Sizes 3/4" – 2"

Repair Kits

When ordering specify Ordering Code, Kit No., and Valve Size.

| ORDERING CODE | KIT NO. | SIZE | LIST PRICE |
|---------------|---------|------|------------|
|---------------|---------|------|------------|

First or Second Check Kits

| LEAD FREE* | ORDERING CODE | KIT NO. | SIZE | LIST PRICE |
|------------|---------------|---------------|-------------|------------|
| | 0887150 | RK 709 CK4 | 3/4" – 1" | \$191.00 |
| | 0887151 | RK 709 CK4 | 1 1/2" – 2" | 348.00 |
| | 0887155 | RK 709 CK4SS* | 1 1/2" – 2" | 689.50 |

Kit consists of: disc assembly; spring; seat O-ring and cover O-ring.

Complete Rubber Parts

| LEAD FREE* | ORDERING CODE | KIT NO. | SIZE | LIST PRICE |
|------------|---------------|-----------|-------------|------------|
| | 0887152 | RK 709 RT | 3/4" – 1" | 27.25 |
| | 0887153 | RK 709 RT | 1 1/2" – 2" | 121.00 |

Kit consists of: disc assembly; seat O-ring and cover O-ring.

Seat Kits

| LEAD FREE* | ORDERING CODE | KIT NO. | SIZE | LIST PRICE |
|------------|---------------|-------------|-------------|------------|
| | 0887160 | RK709 S4 | 3/4" – 1" | 58.25 |
| | 0887161 | RK709 S4 | 1 1/2" – 2" | 72.75 |
| | 0887162 | RK709 S4SS* | 3/4" – 1" | 415.00 |
| | 0887163 | RK709 S4SS* | 1 1/2" – 2" | 537.50 |

Kit consists of: seat; seat O-ring and cover O-ring.

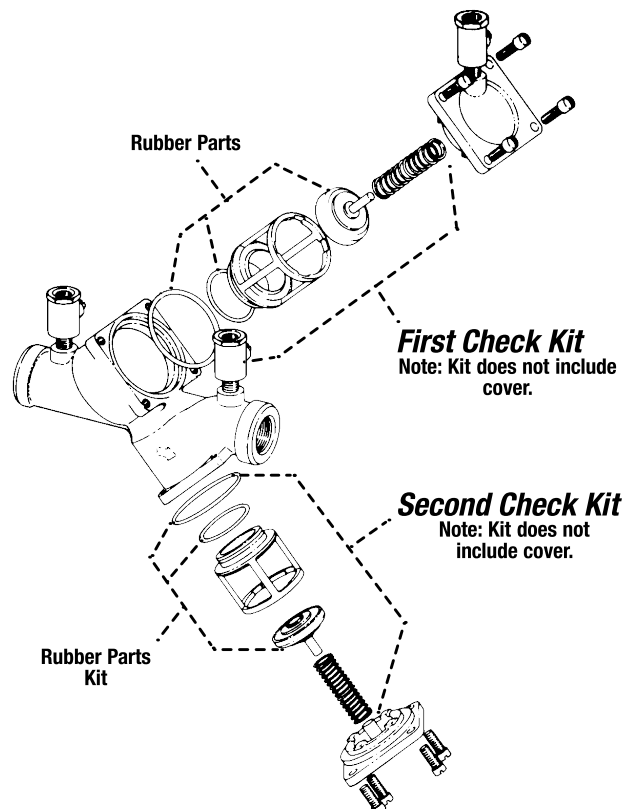
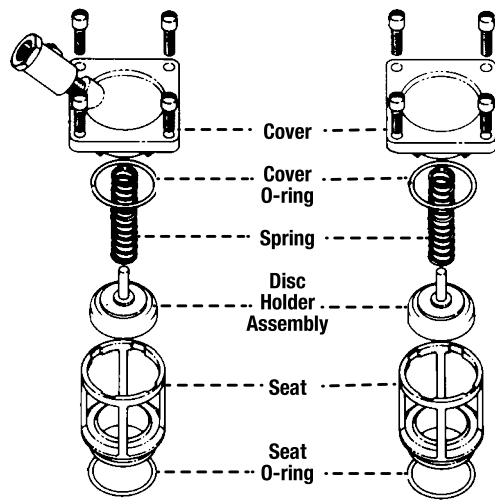
Cover Kits

| | | | | |
|--|---------|----------|-------------|--------|
| | 0887156 | RK 709C1 | 3/4" – 1" | 134.00 |
| | 0887157 | RK 709C1 | 1 1/2" – 2" | 168.00 |
| | 0887158 | RK 709C2 | 3/4" – 1" | 122.50 |
| | 0887159 | RK 709C2 | 1 1/2" – 2" | 168.00 |

Kit consists of: cover and cover O-ring.

First Check

Second Check



*The wetted surface of this product contacted by consumable water contains less than 0.25% of lead by weight.

Series 709, LF709

Double Check Valve Assemblies

Sizes 2 1/2" – 10"

Repair Kits

When ordering specify Ordering Code, Kit No., and Valve Size.

| | ORDERING CODE | KIT NO. | SIZE | LIST PRICE |
|------------|-----------------------------------|--------------|-------------|------------|
| LEAD FREE* | First or Second Check Kits | | | |
| | 0794014 | LFRK 709 CK4 | 2 1/2" – 3" | \$787.00 |
| | 0794015 | LFRK 709 CK4 | 4" | 1,285.00 |
| | 0794016 | LFRK 709 CK4 | **6" | 2,217.00 |
| | 0794017 | LFRK 709 CK4 | 8" | 4,053.00 |
| | 0794018 | LFRK 709 CK4 | 10" | 5,457.00 |

Kit consists of: disc & spring assembly and cover O-ring.

Rubber Parts (for one check)

| | | | | |
|------------|---------|------------|-------------|--------|
| LEAD FREE* | 0887905 | RK 709 RC4 | 2 1/2" – 3" | 120.50 |
| | 0887906 | RK 709 RC4 | 4" | 161.50 |
| | 0887907 | RK 709 RC4 | **6" | 184.50 |
| | 0887908 | RK 709 RC4 | 8" | 221.50 |
| | 0887909 | RK 709 RC4 | 10" | 304.00 |

Kit consists of: disc and cover O-ring.

Complete Rubber Parts

| | | | | |
|------------|---------|-----------|-------------|--------|
| LEAD FREE* | 0887915 | RK 709 RT | 2 1/2" – 3" | 242.00 |
| | 0887916 | RK 709 RT | 4" | 321.50 |
| | 0887917 | RK 709 RT | **6" | 366.00 |
| | 0887918 | RK 709 RT | 8" | 442.50 |
| | 0887919 | RK 709 RT | 10" | 606.00 |

Kit consists of: 2 discs and 2 cover O-rings.

Seat Kits

| | | | | |
|------------|---------|-----------|-------------|----------|
| LEAD FREE* | 0794019 | LFRK 709S | 2 1/2" – 3" | 317.00 |
| | 0794020 | LFRK 709S | 4" | 463.50 |
| | 0794021 | LFRK 709S | 6" | 796.50 |
| | 0794022 | LFRK 709S | 8" | 1,902.00 |
| | 0794023 | LFRK 709S | 10" | 2,221.00 |

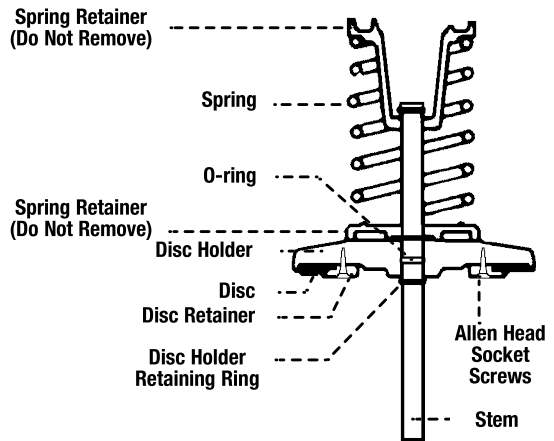
Kit consists of: seat; seat O-ring; cover O-ring and retainer wire.

Cover Kits

| | | | | |
|------------|---------|----------|-------------|----------|
| LEAD FREE* | 0887920 | RK 709 C | 2 1/2" – 3" | 417.00 |
| | 0887921 | RK 709 C | 4" | 467.50 |
| | 0887922 | RK 709 C | 6" | 651.00 |
| | 0887923 | RK 709 C | 8" | 1,067.00 |
| | 0887924 | RK 709 C | 10" | 2,391.00 |

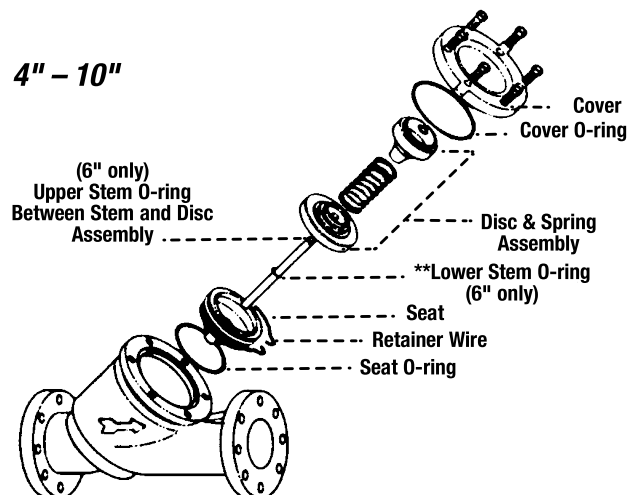
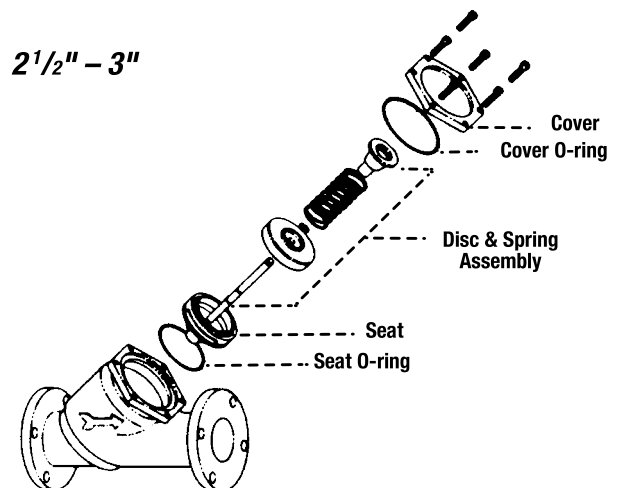
Kit consists of: cover and cover O-ring.

**6" also includes upper and lower stem O-ring



WARNING

Spring assembly is factory assembled. DO NOT DISASSEMBLE.



*The wetted surface of this product contacted by consumable water contains less than 0.25% of lead by weight.

Series 709DCDA

Double Check Detector Assemblies

Sizes 3" – 10"

Repair Kits

When ordering specify Ordering Code, Kit No., and Valve Size.

| ORDERING CODE | KIT NO. | SIZE | LIST PRICE |
|-------------------------|------------------|------|------------|
| First Check Kits | | | |
| 0794024 | LFRK 709DCDA-CK1 | 3" | \$1,007.00 |
| 0794025 | LFRK 709DCDA-CK1 | 4" | 1,403.00 |
| 0794026 | LFRK 709DCDA-CK1 | **6" | 2,534.00 |
| 0794027 | LFRK 709DCDA-CK1 | 8" | 4,575.00 |
| 0794028 | LFRK 709DCDA-CK1 | 10" | 6,788.00 |

| ORDERING CODE | KIT NO. | SIZE | LIST PRICE |
|--------------------------|------------------|------|------------|
| Second Check Kits | | | |
| 0794029 | LFRK 709DCDA-CK2 | 3" | 787.00 |
| 0794030 | LFRK 709DCDA-CK2 | 4" | 1,285.00 |
| 0794031 | LFRK 709DCDA-CK2 | **6" | 2,217.00 |
| 0794032 | LFRK 709DCDA-CK2 | 8" | 4,053.00 |
| 0794033 | LFRK 709DCDA-CK2 | 10" | 5,457.00 |

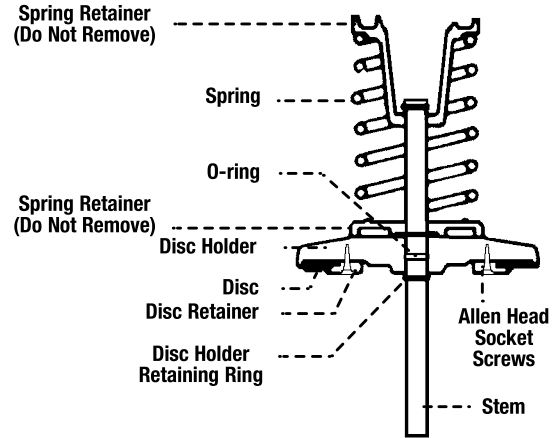
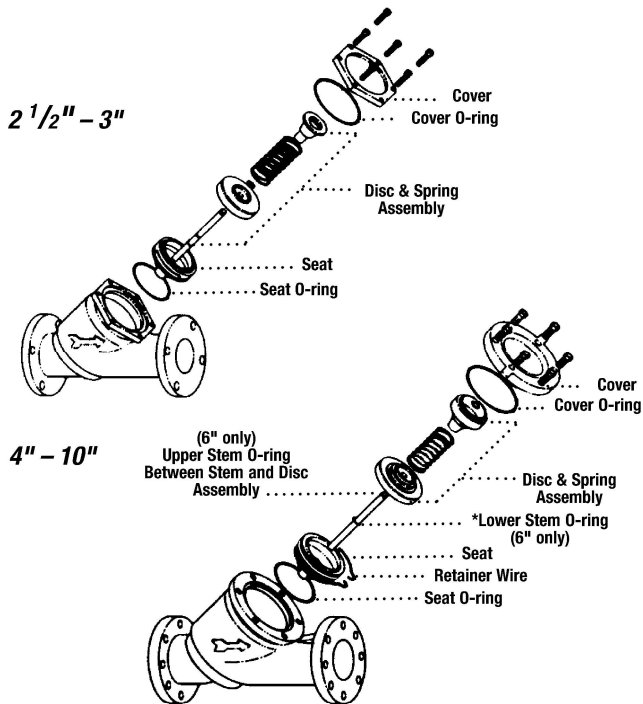
Kit consists of: disc assembly; spring and cover O-ring.

Rubber Parts (for one check)

| ORDERING CODE | KIT NO. | SIZE | LIST PRICE |
|---------------|----------------|------|------------|
| 0887940 | RK 709DCDA RC4 | 3" | 120.50 |
| 0887941 | RK 709DCDA RC4 | 4" | 161.50 |
| 0887942 | RK 709DCDA RC4 | **6" | 184.50 |
| 0887943 | RK 709DCDA RC4 | 8" | 221.50 |
| 0887944 | RK 709DCDA RC4 | 10" | 304.00 |

Kit consists of: disc and cover O-ring.

**6" also includes lower stem O-ring



WARNING

Spring assembly is factory assembled. DO NOT DISASSEMBLE.

| ORDERING CODE | KIT NO. | SIZE | LIST PRICE |
|------------------|----------------|------|------------|
| Seat Kits | | | |
| 0794034 | LFRK 709DCDA-S | 3" | \$317.00 |
| 0794035 | LFRK 709DCDA-S | 4" | 463.50 |
| 0794036 | LFRK 709DCDA-S | 6" | 796.50 |
| 0794037 | LFRK 709DCDA-S | 8" | 1,902.00 |
| 0794038 | LFRK 709DCDA-S | 10" | 2,221.00 |

Kit consists of: seat; seat O-ring; cover O-ring and retainer wire.

Cover Kits

| ORDERING CODE | KIT NO. | SIZE | LIST PRICE |
|---------------|--------------|------|------------|
| 0887950 | RK 709DCDA C | 3" | 424.00 |
| 0887951 | RK 709DCDA C | 4" | 477.00 |
| 0887952 | RK 709DCDA C | 6" | 663.50 |
| 0887953 | RK 709DCDA C | 8" | 1,087.00 |
| 0887954 | RK 709DCDA C | 10" | 2,438.00 |

Kit consists of: cover and cover O-ring.

Complete Rubber Parts

| ORDERING CODE | KIT NO. | SIZE | LIST PRICE |
|---------------|---------------|------|------------|
| 0887956 | RK 709DCDA RT | 3" | 246.50 |
| 0887957 | RK 709DCDA RT | 4" | 328.50 |
| 0887958 | RK 709DCDA RT | **6" | 372.50 |
| 0887959 | RK 709DCDA RT | 8" | 451.00 |
| 0887960 | RK 709DCDA RT | 10" | 615.50 |

Kit consists of: 2 discs and 2 cover O-rings.

**6" also includes upper and lower stem O-ring

*The wetted surface of this product contacted by consumable water contains less than 0.25% of lead by weight.