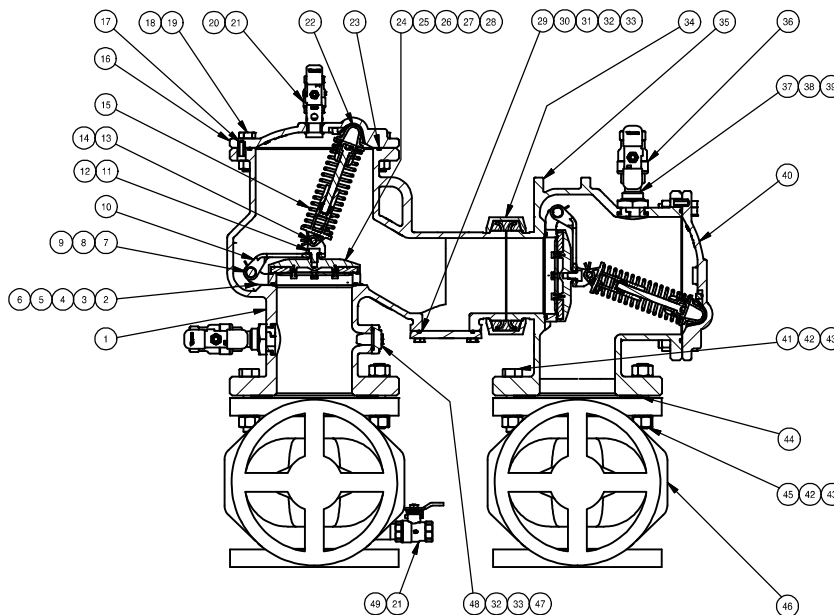


LF870V, 876VST, LF876V 2 1/2" – 10" Double Check/Double Check Detector Assemblies



Ordering Code	Style	Size	List Price
---------------	-------	------	------------

Disc Assembly

905466	ALL	2 1/2" & 3"	\$ 234.50
905467	ALL	4"	246.00
905468	ALL	6"	323.00
905469	ALL	8"	599.50
400145	ALL	10"	484.00

Kit Includes: Items 11, 12, 23, 24, 25, 26, 27, 28

Check Rubber Kit

905490	ALL	2 1/2" & 3"	134.00
905491	ALL	4"	146.00
905492	ALL	6"	168.00
905493	ALL	8" & 10"	279.00

Kit Includes: Items 3, 4, 23 and 25 Disk, Cover O-Ring, Port cover o-rings

Spring Module

905470	LF870 (1st & 2nd) 876ST, LF876 (1st)	2 1/2" & 3"	101.00
905471	LF870 (1st & 2nd) 876ST, LF876 (1st)	4"	130.00
905472	LF870 (1st & 2nd) 876ST, LF876 (1st)	6"	211.00
905473	LF870 (1st & 2nd) 876ST, LF876 (1st)	8"	234.50
905496	LF870 (1st & 2nd), LF876 (1st)	10"	249.00
905474	876ST (2nd)	2 1/2" & 3"	147.50
905475	876ST (2nd)	4"	170.00
905476	876ST (2nd)	6"	254.00
905477	876ST (2nd)	8"	247.50
905608	LF876 (2nd)	2 1/2" & 3"	144.00
905609	LF876 (2nd)	4"	166.00
905610	LF876 (2nd)	6"	248.50
905611	LF876 (2nd)	8"	242.00

Kit Includes: Item 15

Seat Ring / Arm Assembly

905486	ALL	2 1/2" & 3"	422.00
905487	ALL	4"	438.00
905488	ALL	6"	625.00
905489	ALL	8"	622.00
905501	ALL	10"	602.50

Kit Includes: Items 2, 3, 4, 5, 6, 7, 8, 9, 10

Ordering Code	Style	Size	List Price
---------------	-------	------	------------

Check Replacement Kit

905478	LF870 (1st & 2nd) 876ST, LF876 (1st)	2 1/2" & 3"	\$ 843.00
905479	LF870 (1st & 2nd) 876ST, LF876 (1st)	4"	1,062.00
905480	LF870 (1st & 2nd) 876ST, LF876 (1st)	6"	1,545.00
905481	LF870 (1st & 2nd) 876ST, LF876 (1st)	8"	2,254.00
905499	LF870 (1st & 2nd), LF876 (1st)	10"	3,548.00
905482	876ST (2nd)	2 1/2" & 3"	923.00
905483	876ST (2nd)	4"	1,115.00
905484	876ST (2nd)	6"	1,619.00
905485	876ST (2nd)	8"	2,423.00
905612	LF876 (2nd)	2 1/2" & 3"	899.50
905613	LF876 (2nd)	4"	1,087.00
905614	LF876 (2nd)	6"	1,578.00
905615	LF876 (2nd)	8"	2,364.00

Kit Includes: Items 2 thru 12, 15, 23 thru 28
Cover O-Rings on all Check Kits

Cover Assembly (Inlet Check LF870V, 876VST) (Outlet Check LF876V)

905167	ALL	2 1/2" & 3"	328.50
905168	ALL	4"	373.00
905169	ALL	6"	431.00
905170	ALL	8"	494.50
905171	ALL	10"	512.00

Kit Includes: Items 16, 17, 22, 23

Cover Assembly (Outlet Check LF870V)

905244	ALL	2 1/2" & 3"	328.50
905245	ALL	4"	373.00
905246	ALL	6"	431.00
905247	ALL	8"	494.50
905248	ALL	10"	498.00

Kit Includes: Items 17, 22, 23, 40

Bulkhead Fitting for Inlet Cover

905275	ALL	2 1/2", 3", 4"	43.50
905277	ALL	6", 8", 10"	58.00

Kit Includes: Items 20

Bulkhead Fitting for Body

905276	870V	2 1/2", 3", 4"	53.00
905277	870V	6", 8", 10"	58.00
905277	876V	2 1/2"-10"	58.00

Kit Includes: Items 37, 38, 39

*The wetted surface of this product contacted by consumable water contains less than 0.25% of lead by weight.

Supersedes all other price lists / Prices subject to change / Weights are estimated

1Grooved ends available on all OS&Y gate valves in some models and sizes. Expect larger lead times.

Detailed maintenance manuals can be downloaded at www.FEBCOonline.com.