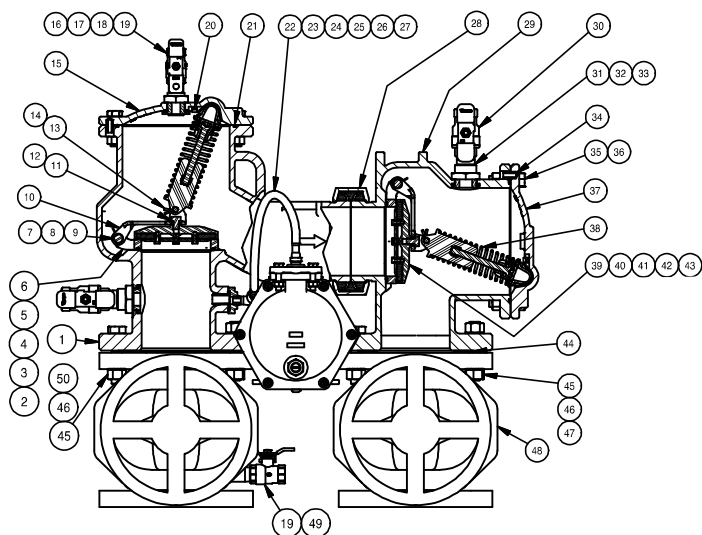


LF880V, LF886V

2 1/2" - 10" Reduced Pressure Zone Assemblies/ Reduced Pressure Zone Detector Assemblies



Ordering Code	Style	Size	List Price
Disc Assembly			
905466	ALL	2 1/2" & 3"	\$ 234.50
905467	ALL	4"	246.00
905468	ALL	6"	323.00
905469	ALL	8"	599.50
400145	ALL	10"	484.00
Kit Includes: Items 11, 12, 21, 39, 40, 41, 42, 43			
Check Rubber Kit			
905490	ALL	2 1/2" & 3"	134.00
905491	ALL	4"	146.00
905492	ALL	6"	168.00
905493	ALL	8" & 10"	279.00
Kit Includes: Items 4, 5, 21, 40			
Spring Module			
905507	880, 886 (1st)	2 1/2" & 3"	224.00
905508	880, 886 (1st)	4"	246.00
905509	880, 886 (1st)	6"	301.00
905510	880, 886 (1st)	8"	334.00
905584	880, 886 (1st)	10"	352.50
905470	880 (2nd)	2 1/2" & 3"	101.00
905471	880 (2nd)	4"	130.00
905472	880 (2nd)	6"	211.00
905473	880 (2nd)	8"	234.50
905496	880 (2nd)	10"	249.00
905608	886 (2nd)	2 1/2" & 3"	144.00
905609	886 (2nd)	4"	166.00
905610	886 (2nd)	6"	248.50
905611	886 (2nd)	8"	242.00
Kit Includes: Item 38			

Ordering Code	Style	Size	List Price
Seat Ring / Arm Assembly			
905486	ALL	2 1/2" & 3"	\$ 422.00
905487	ALL	4"	438.00
905488	ALL	6"	625.00
905489	ALL	8"	622.00

Kit Includes: Items 2 thru 10, 21

Ordering Code	Style	Size	List Price
Check Replacement Kit			
905511	880,886 (1st)	2 1/2" & 3"	848.00
905512	880,886 (1st)	4"	1,071.00
905514	880,886 (1st)	6"	1,774.00
905515	880,886 (1st)	8"	2,636.00
905589	880, 886 (1st)	10"	3,915.00
905478	880 (2nd)	2 1/2" & 3"	843.00
905479	880 (2nd)	4"	1,062.00
905480	880 (2nd)	6"	1,545.00
905481	880 (2nd)	8"	2,254.00
905499	880 (2nd)	10"	3,548.00
905612	886 (2nd)	2 1/2" & 3"	899.50
905613	886 (2nd)	4"	1,087.00
905614	886 (2nd)	6"	1,578.00
905615	886 (2nd)	8"	2,364.00

Kit Includes: Items 2 thru 12, 21, 38, 39, 40, 41, 42, 43
Cover O-Rings on all Check Kits

Ordering Code	Style	Size	List Price
Cover Assembly (Inlet Check 880V, Outlet 886V)			
905167	ALL	2 1/2" & 3"	328.50
905168	ALL	4"	373.00
905169	ALL	6"	431.00
905170	ALL	8"	494.50
905171	ALL	10"	512.00

Kit Includes: Items 2.4, 15, 20, 21

Ordering Code	Style	Size	List Price
Cover Assembly (Outlet Check 880V)			
905244	ALL	2 1/2" & 3"	328.50
905245	ALL	4"	373.00
905246	ALL	6"	431.00
905247	ALL	8"	494.50
905248	ALL	10"	498.00

Kit Includes: Items 2.4, 20, 21, 37

Ordering Code	Style	Size	List Price
Bulkhead Fittings for Cover			
905275	ALL	2 1/2", 3", 4"	43.50
905277	ALL	6", 8", 10"	58.00

Kit Includes: Items 16, 17, 18

Ordering Code	Style	Size	List Price
Bulkhead Fittings for Body			
905276	880V	2 1/2", 3", 4"	53.00
905277	880V	6", 8", 10"	58.00
905277	886V	2 1/2" - 10"	58.00

Kit Includes: Items 31, 32, 33

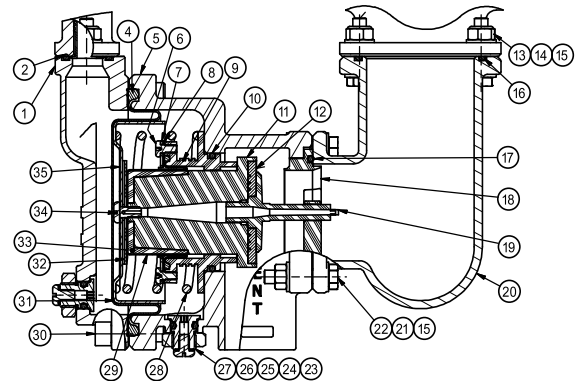
*The wetted surface of this product contacted by consumable water contains less than 0.25% of lead by weight.

Supersedes all other price lists / Prices subject to change / Weights are estimated

1 Grooved ends available on all OS&Y gate valves in some models and sizes. Expect larger lead times.

LF860, LF880V, LF866, LF886V
Relief Valve Repair Kits

	Ordering Code	List Price
	RV Rubber Kit	
LEAD FREE	905602	\$ 190.50
	Kit Includes: Items 2, 4, 10, 12, 17 & 29	
	RV Repair Parts Kit	
LEAD FREE	905603	368.00
	Kit Includes: Items 2, 4, 6, 7, 8, 9, 10, 11, 12, 17, 18, 19, 28, 29, 31, 32, 33, 34 & 35	
	Complete RV W/Elbows (LF860/LF866 2 1/2" - 8")	
LEAD FREE	905606	1,164.00
	Kit Includes: Fully Assembled	
	Complete RV W/Elbows (LF880V, LF886V, LF860/LF866 10")	
LEAD FREE	905607	1,330.00
	Kit Includes: Fully Assembled	



LF856, LF876V, LF866, LF886V
Bypass Assemblies and Bypass Repair Kits

	Ordering Code	Size	List Price
	LF856/LF866		
LEAD FREE	905629	2 1/2" - 4"	\$ 815.00
	905630	6" - 10"	843.00
	LF876V/LF886V		
LEAD FREE	905625	2 1/2" - 3"	896.50
	905638	4"	910.50
	905626	6"	919.50
	905639	8"	929.00
	905640	10"	939.00
	Kit supplied loosely assembled		

LF856, LF876V, LF866, LF886V cont.
Bypass Assemblies and Bypass Repair Kits

	Ordering Code	Size	List Price
	LF856/LF886/LF876V/LF886V/Bypass Hose		
LEAD FREE	905631	2 1/2" - 4"	39.25
	905632	6" - 10"	58.50
	LFFRK 619 CK1 Bypass Check Repair Kit		
LEAD FREE	905633	2 1/2" - 10"	105.50
	LFFRK 619 Bypass Check Assembly		
LEAD FREE	905634	2 1/2" - 10"	301.50

*The wetted surface of this product contacted by consumable water contains less than 0.25% of lead by weight.

Supersedes all other price lists / Prices subject to change / Weights are estimated

¹Grooved ends available on all OS&Y gate valves in some models and sizes. Expect larger lead times.

Detailed maintenance manuals can be downloaded at www.FEBCOonline.com.