

## VB-501 175 psi Composite Pressure Vacuum Breaker

*No Lead-Theft Deterrent-Corrosion Free*

### Specification

Application Designed for installation on irrigation water lines to protect against Backsiphonage of contaminated water into the potable water supply. Assembly shall provide protection where a potential health hazard exists. Standards Compliance

**Sizes: 3/4", 1"**

- Maximum working water pressure - 175 PSI
- Maximum working water temperature - 140°F / 60° C
- Hydrostatic test pressure - 300 PSI
- End connections threaded NPT -ANSI B1.20.1



**VB-501**

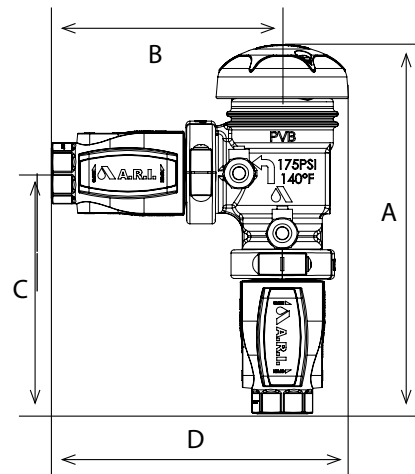


1020

### Dimensions & Weights

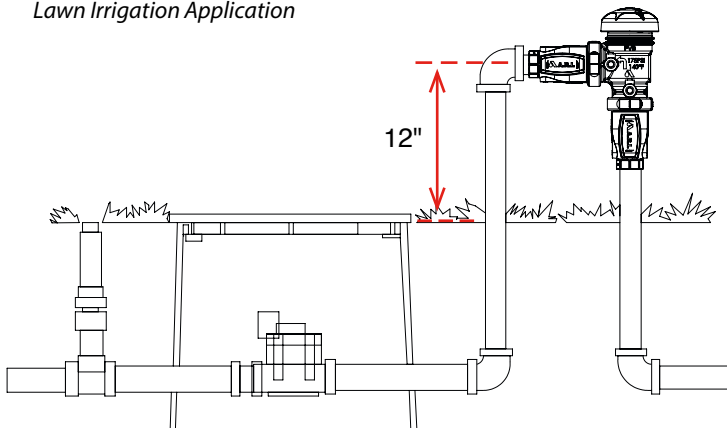
Size w/ Nylon Composite Valves

| Size | Dimensions [in.] |      |      |      | Weight [LB] |
|------|------------------|------|------|------|-------------|
|      | A                | B    | C    | D    |             |
| 3/4" | 9.92             | 6.50 | 6.77 | 8.11 | 2.12        |
| 1"   | 10.59            | 7.56 | 7.44 | 8.82 | 2.43        |

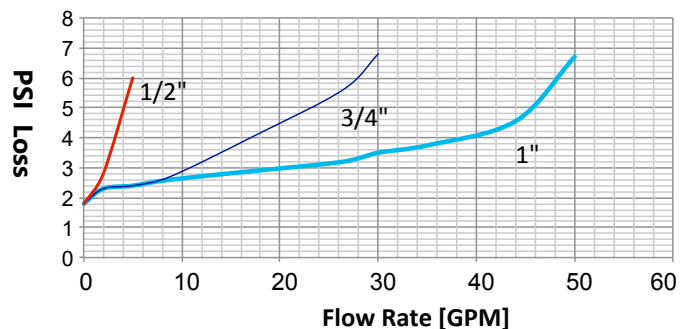


### Outdoor Installation

*Lawn Irrigation Application*



### Pressure Loss Curve



# VB-501 Specification Submittal



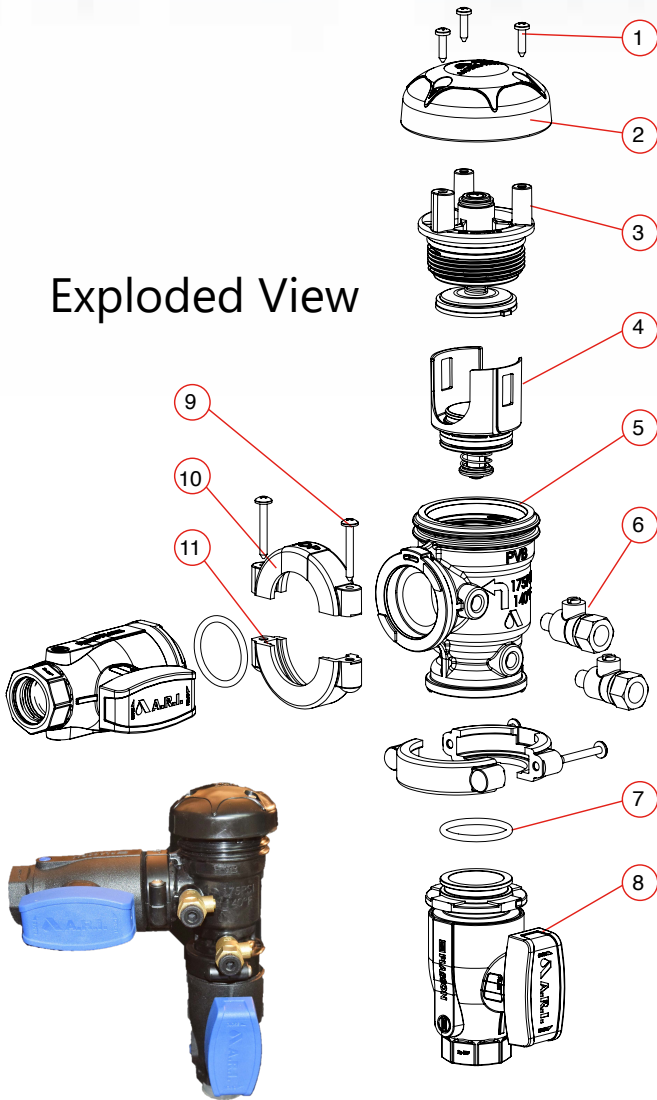
## Composite Pressure Vacuum Breaker

Easy to Service & Low Cost Repair



1020

Exploded View



| ITEM | PART                 | Material      | QTY. |
|------|----------------------|---------------|------|
| 1    | Cover Bolts          | SS304         | 3    |
| 2    | Cover VB500          | PP            | 1    |
| 3    | Vent Assembly        |               | 1    |
| 4    | Check Valve Assembly |               | 1    |
| 5    | Body VB500           | Reinforced PA | 1    |
| 6    | Test Cocks           | Brass         | 2    |
| 7    | O Rings 2-219        | NBR           | 2    |
| 8 *  | Ball Valve           | Reinforced PA | 2    |
| 9    | Band bolts           | SS304         | 4    |
| 10   | Band up RP500        | Reinforced PA | 2    |
| 11   | Band down RP500      | Reinforced PA | 2    |

### 3. Vent Assembly

|     |             |               |   |
|-----|-------------|---------------|---|
| 1.1 | Vent Seat   | Reinforced PA | 1 |
| 1.2 | Vent piston | Acetal        | 1 |
| 1.3 | Vent seal   | EPDM          | 1 |
| 1.4 | Sleeve      | Reinforced PA | 1 |
| 1.5 | PLUG VB500  | Acetal        | 2 |
| 1.6 | VENT Spring | St.St.        | 1 |

### 4. Check Valve Assembly

|     |                    |        |   |
|-----|--------------------|--------|---|
| 2.1 | Check valve Seat   | Acetal | 1 |
| 2.2 | Check valve seal   | EPDM   | 1 |
| 2.3 | O-ring 2-219       | NBR    | 3 |
| 2.4 | Check Valve Spring | St.St. | 1 |
| 2.5 | Check valve piston | Acetal | 1 |



**United Backflow Solutions, Inc.**

*Innovation in Backflow Technology...*