

DCLF 4AN

Double Check Valve Backflow Preventer

LEAD FREE



Job Name:	
Job Location:	
Engineer:	
Contractor:	
Tag:	
PO#:	
Rep:	
Wholesale Dist.:	

DESCRIPTION

The 2-1/2" - 12" Backflow Preventer shall be an Apollo Model DCLF4AN Lead Free* Double Check Valve. The assembly shall be manufactured in America and carry a 5-year Apollo factory warranty. The TriForce™ center-stem guided check valves shall feature reversible silicone rubber seat discs. The check valves shall be held in place by drop-in retainers (2-1/2" - 6") or SS studs & nuts (8" - 12"). Access to the check valves shall be by an Apollo quick-connect SS coupling (2-1/2" - 6") or grooved couplings (8" - 12"). The bodies shall be domestic SS in 2-1/2" - 8" sizes and FDA epoxy coated ductile iron in 10" & 12" sizes. The lead free* Apollo ball valve test cocks shall have SS handles. The assembly shall prevent contamination of the potable water supply due to back-siphonage or backpressure from substances that are non-health hazards. The pressure drop across the assembly shall be documented by an independent laboratory.

FEATURES

- Domestic Stainless Steel Body: 2-1/2"-8"
- FDA Epoxy Coated Ductile Iron Body: 10" & 12"
- Easy Maintenance: No Special Tools Required
- Drop-In Check Retainers: 2-1/2"-6"
- Bolted-In Checks: 8"-12"
- Low Pressure Loss as Documented by an Independent Approval Laboratory
- Center Stem Guided TriForce™ Check Valves
- Lead Free Standard
- Small Installation Space Required - Small Footprint
- Chloramine-Resistant Elastomers
- Optional Valve Setters Eliminate Need for Thrust Blocks
- US Patent Nos.: 6,443,184; 7,025,085; 7,533,699
- 5 year Warranty
- Made in the USA (D Option)

APPROVALS

- Approved by the Foundation for Cross-Connection Control and Hydraulic Research at the University of Southern California (2-1/2" - 8")
- ASSE 1015-2011
- AWWA C-510 (2-1/2" - 8")
- UL, ULC Classified
- FM Approved
- CSA B64.5
- NSF/ANSI 61 Water Quality (2-1/2" - 12")
- NSF/ANSI 372 Lead Free (2-1/2" - 12")

PERFORMANCE RATING

- Maximum Working Pressure: 175 psi
- Temperature Range: 33°F - 140°F, 180°F Intermittent

STANDARD MATERIALS LIST

BODY (2-1/2" - 8")	304 Stainless Steel
BODY (10" & 12")	FDA Epoxy Coated Ductile Iron
COVERS (2-1/2" - 6")	Glass Filled PPO/SS
COVERS (8")	304 Stainless Steel
COVERS (10" & 12")	FDA Epoxy Coated Ductile Iron
CHECK VALVES	Bronze/Glass-Filled PPO/SS
SPRINGS	Stainless Steel
SEAT DISCS	Chloramine-Resistant Silicone
TEST COCKS	Lead Free Bronze w/ SS Handles

PART NUMBER MATRIX

4ANLF	1 X	X	OX	X
	Y-STRAINER	SIZE	SHUT-OFF VALVES (INLET X OUTLET)	OPTIONS
4ANLF - LEAD FREE STANDARD	0 - STANDARD 1 - W/ Y-STRAINER (SHIPPED LOOSE)	9 - 2-1/2" 0 - 3" A - 4" C - 6" E - 8" G - 10" H - 12"	1 - LESS SHUT-OFF VALVES 2 - NRS FLANGE X NRS FLANGE 3 - OS&Y FLANGE X OS&Y FLANGE 4 - OS&Y FLANGE X MONITORED (MON.) BUTTERFLY VALVE GROOVE† 6 - OS&Y FLANGE X POST INDICATOR FLANGE 7 - OS&Y FLANGE X OS&Y GROOVE 8 - OS&Y GROOVE X OS&Y GROOVE 9 - MON. BUTTERFLY VALVE GROOVE X MON. BUTTERFLY VALVE GROOVE † 10 - OS&Y FLANGE X POST INDICATOR GROOVE 11 - NRS GROOVE X NRS GROOVE 12 - NRS FLANGE X NRS GROOVE 13 - POST INDICATOR FLANGE X MON. BUTTERFLY VALVE GROOVE† 14 - POST INDICATOR FLANGE X POST INDICATOR FLANGE 16 - MON BUTTERFLY VALVE GROOVE X POST INDICATOR FLANGE† 17 - POST INDICATOR FLANGE X OS&Y GROOVE 18 - OS&Y GROOVE X POST INDICATOR GROOVE 19 - MON. BUTTERFLY VALVE GROOVE X POST INDICATOR GROOVE† 20 - POST INDICATOR FLANGE X OS&Y FLANGE 21 - POST INDICATOR GROOVE X OS&Y GROOVE 22 - POST INDICATOR GROOVE X MON. BUTTERFLY VALVE GROOVE 23 - MON. BUTTERFLY VALVE GROOVE X OS&Y FLANGE†	D - DOMESTIC ASSEMBLY
EXAMPLE: 4ANLF 10A O3 = 4" size lead free double check valve assembly with OS&Y flanged inlet x OS&Y flanged outlet shut-off valves (shown above)				

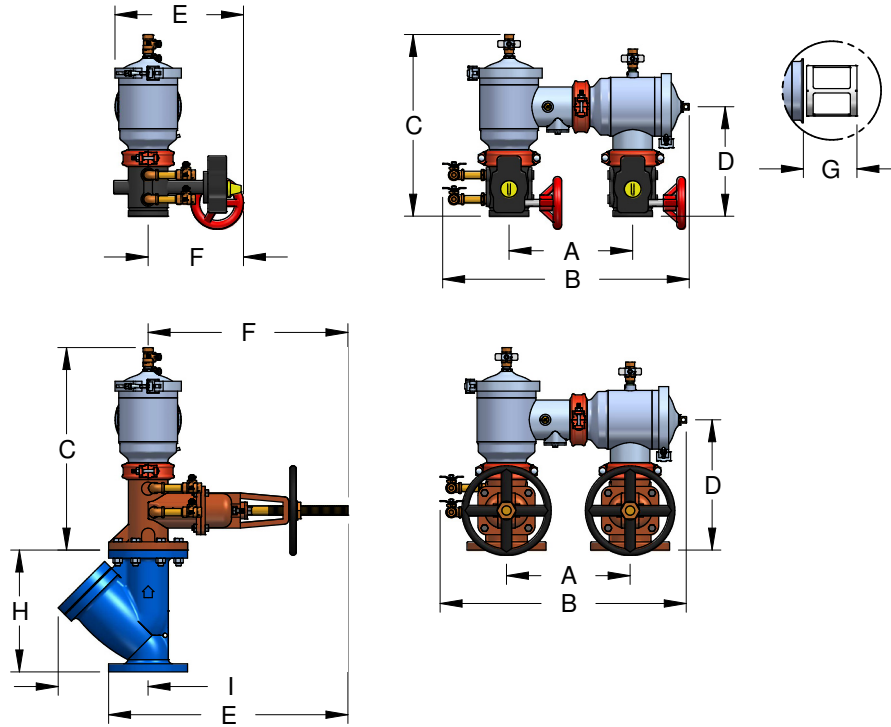
*Butterfly valves not available in 12" size.

*LEAD FREE: The wetted surfaces of this product shall contain no more than 0.25% lead by weighted average. Complies with Federal Public Law 111-380. ANSI 3rd party approved and listed.

DCLF 4AN

Double Check Valve Backflow Preventer

LEAD FREE



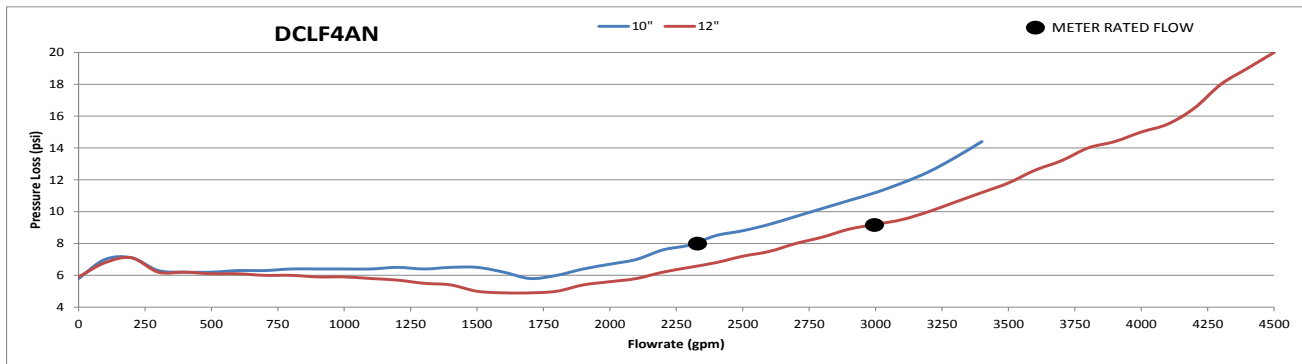
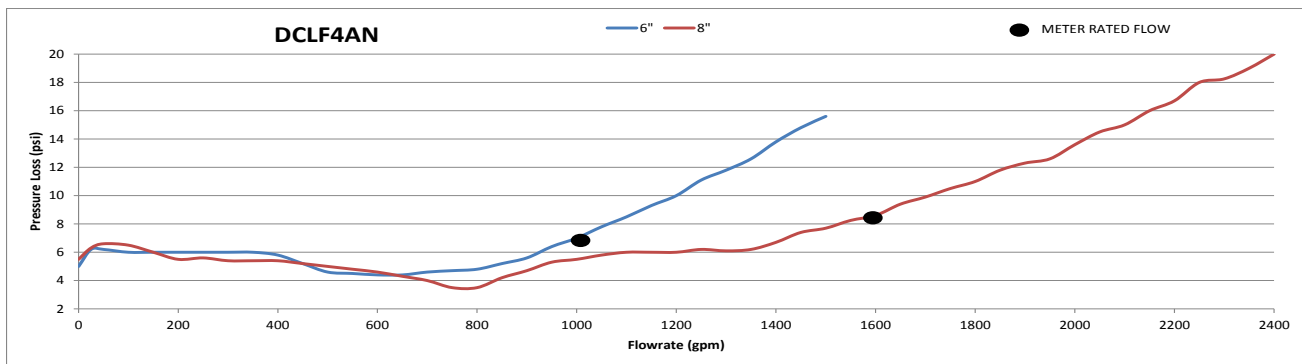
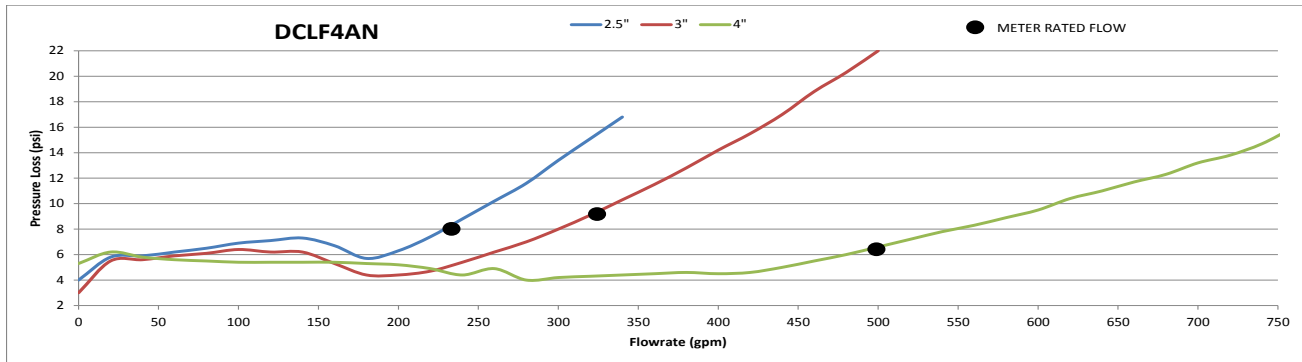
DIMENSIONS

Nominal dimensions are shown. Allowances must be made for manufacturers' tolerances ($\pm 1/8"$ (3 mm) per joint)

SIZE	2 1/2"	65 MM	3"	80MM	4"	100MM	6"	150MM	8"	200MM	10"	250MM	12"	300MM
A (CENTERLINE TO CENTERLINE)	12.5	318	12.5	318	14.0	356	16.0	406	18.5	470	21.0	533	26.8	681
B (LAY LENGTH SPACE - BUTTERFLY VALVES)	25.5	648	25.6	651	28.1	714	33.3	845	38.1	968	46.0	1168	N/A	N/A
B (LAY LENGTH SPACE - GATE VALVES)	24.9	632	25.1	638	28.1	714	33.3	846	40.1	1019	46.0	1168	53.0	1346
C (BUTTERFLY VALVES - TOP TO FLANGE)	18.8	476	19.0	483	20.8	527	25.0	635	29.5	749	34.8	883	N/A	N/A
C (GATE VALVES - TOP TO FLANGE)	20.3	516	20.7	526	23.1	587	28.5	724	32.9	836	39.8	1011	43.9	1115
D (CENTERLINE TO BOTTOM - BUTTERFLY VALVES)	11.5	292	11.8	298	12.5	318	14.6	371	17.9	454	N/A	N/A	N/A	N/A
D (CENTERLINE TO BOTTOM - GATE VALVES)	13.0	330	13.5	343	14.9	378	18.0	457	21.3	542	24.8	629	28.8	730
E (MAXIMUM WIDTH - BUTTERFLY VALVES)	12.1	308	13.1	333	14.8	375	18.3	465	25.9	657	29.3	745	N/A	N/A
E (MAXIMUM WIDTH - NRS/PI GATE VALVES)	15.6	396	16.9	429	18.6	472	23.8	605	29.1	739	36.3	922	40.0	1016
E (MAXIMUM WIDTH - OS&Y VALVES OPEN)	22.7	577	24.2	615	26.6	676	34.4	874	44.9	1140	57.9	1471	61.9	1572
F (CENTERLINE WIDTH - BUTTERFLY VALVES)	8.6	219	9.6	244	10.9	276	12.5	318	16.5	419	18.1	460	N/A	N/A
F (CENTERLINE WIDTH - NRS/PI GATE VALVES)	11.8	300	13.0	330	14.0	356	17.8	452	21.0	533	24.5	622	30.0	762
F (CENTERLINE WIDTH - OS&Y VALVES OPEN)	18.8	478	20.3	516	22.1	561	29.4	747	36.8	935	45.2	1148	52.2	1326
G (CHECK REMOVAL CLEARANCE)	6.0	152	6.0	152	6.0	152	8.0	203	8.5	216	12.0	305	12.0	305
H (WITH STRAINER - GATE VALVES ONLY)	20.4	516	20.8	526	23.2	587	28.6	724	33.0	836	39.9	1011	44.0	1115
I (CENTERLINE TO STRAINER ACCESS)	0.0	0	0.0	0	0.0	0	0.0	0	0.0	0	0.0	0	0.0	0
TEST COCKS (NPT)	1/2"	13	1/2"	13	1/2"	13	3/4"	20	3/4"	20	3/4"	20	3/4"	20
WEIGHTS	LB.	KG	LB.	KG	LB.	KG	LB.	KG	LB.	KG	LB.	KG	LB.	KG
NET WT (W/BUTTERFLY VALVES)	91.0	41	95.0	43	120.0	54	163.0	74	471.0	214	945.0	429	N/A	N/A
SHIP WT (W/BUTTERFLY VALVES)	152.0	69	156.0	71	181.0	82	243.0	110	606.0	275	1135.0	515	N/A	N/A
NET WT (W/NRS OR PI VALVES)	84.0	38	101.0	46	134.0	61	257.0	117	622.0	282	1292.0	586	1770.0	803
SHIP WT (W/NRS OR PI VALVES)	145.0	66	161.0	73	195.0	88	337.0	153	757.0	343	1482.0	672	1960.0	889
NET WT (W/OS&Y GATE VALVES)	102.0	46	117.0	53	165.0	75	316.0	143	697.0	316	1407.0	638	1885.0	855
SHIP WT (W/OS&Y GATE VALVES)	163.0	74	178.0	81	226.0	103	396.0	180	832.0	377	1597.0	724	2075.0	941
Net Wt. (w/ OS&Y Valves)	102	46	117	53	165	75	316	144	697	317	1407	640	1885	857
Ship Wt. (w/ OS&Y Valves)	163	74	178	81	226	103	396	180	832	378	1597	726	2075	943

Internal body connections are grooved on 2-1/2" to 10" sizes.
Internal body connections are flanged on 12" size.

FLOW CURVES



Notes:
 Flow curves directly reflect data collected by an independent laboratory.
 Flow curves shown were recorded with gate shut-off valves. Contact factory for more information.
 All data points are based on ASSE increasing flow data, from zero GPM to rated flow (opening curve).
 For high flow rates/pressure loss information - contact factory.