

Series M400 Reduced Pressure Zone Assembly 2 1/2" – 10"
Series M500/LFM500 Reduced Pressure Detector Assembly 2 1/2" – 10"

	ORDERING CODE	KIT NO.	SIZE	CHECK DISK MATERIAL	LIST PRICE
--	---------------	---------	------	---------------------	------------

M400, M500 1st Check Kits

LEAD FREE	7010067	ARK M400/M500 CK1	2 1/2" - 3"	Red Silicone	\$ 574.00
	7010069	ARK M400/M500 CK1	4"	Red Silicone	850.50
	7010070	ARK M400/M500 CK1	6"	Red Silicone	1,354.00
	7010071	ARK M400/M500 CK1	8" - 10"	Red Silicone	1,837.00
	7010066	ARK M400/M500 CK1-E	2 1/2" - 3"	EPDM	574.00
	7010068	ARK M400/M500 CK1-E	4"	EPDM	850.50

Kit includes: 1st Check Assembly, Check O-Ring and Lube

M400, M500 2nd Check Kits

LEAD FREE	7010073	ARK M400/M500 CK2	2 1/2" - 3"	Red Silicone	540.50
	7010075	ARK M400/M500 CK2	4"	Red Silicone	751.00
	7010076	ARK M400/M500 CK2	6"	Red Silicone	1,244.00
	7010077	ARK M400/M500 CK2	8" - 10"	Red Silicone	1,565.00
	7010072	ARK M400/M500 CK2-E	2 1/2" - 3"	EPDM	540.50
	7010074	ARK M400/M500 CK2-E	4"	EPDM	751.00

Kit includes: 2nd Check Assembly, Check O-Ring and Lube

Check Rubber Parts Kits

LEAD FREE	7010079	ARK M400/M500 RC4	2 1/2" - 3"	Red Silicone	71.25
	7010081	ARK M400/M500 RC4	4"	Red Silicone	90.75
	7010082	ARK M400/M500 RC4	6"	Red Silicone	58.25
	7010083	ARK M400/M500 RC4	8" - 10"	Red Silicone	284.00
	7010078	ARK M400/M500 RC4-E	2 1/2" - 3"	EPDM	71.25
	7010080	ARK M400/M500 RC4-E	4"	EPDM	90.75

Kit includes: Shutoff Disk (1), Check O-Ring (1), E-Clip and Lube

Total Rubber Parts Kits

LEAD FREE	7010085	ARK M400/M500 RT	2 1/2" - 3"	Red Silicone	482.00
	7010087	ARK M400/M500 RT	4"	Red Silicone	517.50
	7010088	ARK M400/M500 RT	6"	Red Silicone	590.50
	7010089	ARK M400/M500 RT	8" - 10"	Red Silicone	968.50
	7010084	ARK M400/M500 RT-E	2 1/2" - 3"	EPDM	482.00
	7010086	ARK M400/M500 RT-E	4"	EPDM	517.50

Kit Includes: Shutoff Disk (2), Check O-Ring (2), Sleeve O-Ring (2), E-Clip (2), RV Diaphragm, RV Piston, RV E-Clip, RV O-Ring and Lube

Total Relief Valve Kit

LEAD FREE	7010046	ARK C/M 400/500 VT	2 1/2" - 10"		1,268.00
-----------	---------	--------------------	--------------	--	----------

Kit Includes: Complete RV w/36" Hose, RV O-Ring and Lube

Relief Valve Rubber Parts Kit

LEAD FREE	7010047	ARK C/M 400/500 RV	2 1/2" - 10"		359.50
-----------	---------	--------------------	--------------	--	--------

Kit Includes: RV Diaphragm, RV Piston, RV E-Clip, RV O-Ring and Lube

Cover Kits

LEAD FREE	7020198	ARK C/M C	2 1/2" - 4"		684.50
	7020199	ARK C/M C	6"		919.00
	7020200	ARK C/M C	8"		1,569.00
	7020201	ARK C/M C	10"		1,916.00

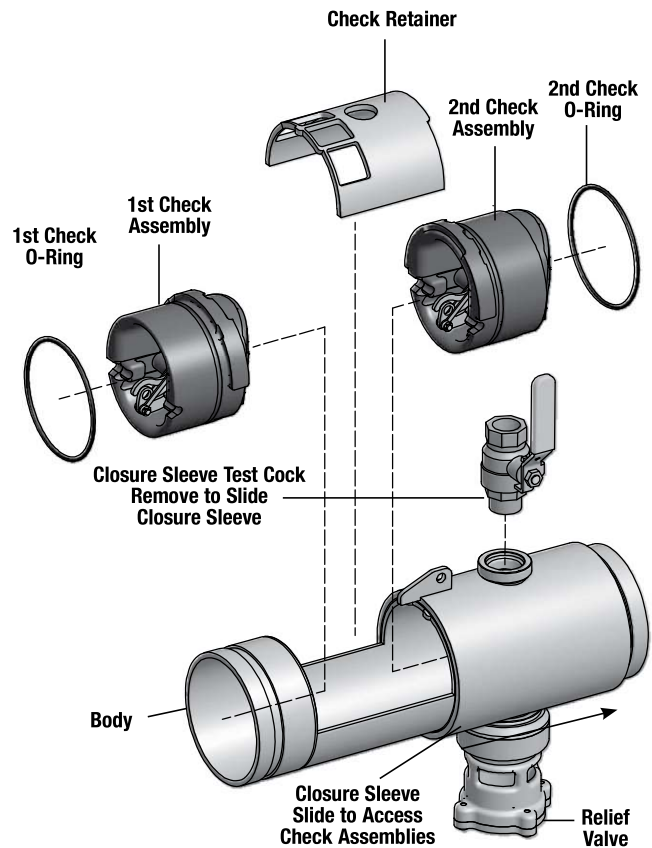
Kit includes: Closure Sleeve, Sleeve O-Ring (2) and Lube

Test Cocks

LEAD FREE	7018152	ARK C/M TC3	1/2"	(2 1/2" - 3")	191.00
	7018153	ARK C/M TC3	3/4"	(4" - 10")	191.00

Sleeve Test Cock #3

2 1/2" – 10" M400/M500



Repair Parts

Series C400/C/M400 Reduced Pressure Zone Assembly 2 1/2" – 10" Series C500/C/M/LFC/LFM500 Reduced Pressure Detector Assembly 2 1/2" – 10"

Relief Valve Kits

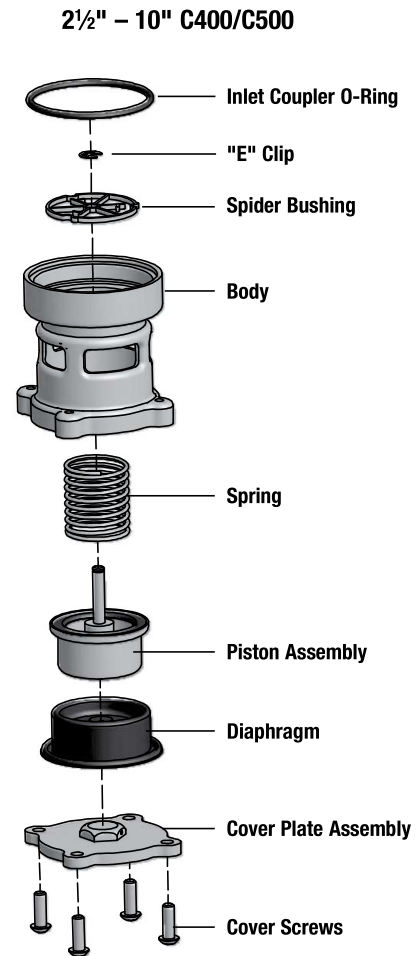
When ordering specify Ordering Code, Kit No., and Valve Size.

	ORDERING CODE	KIT NO.	SIZE	LIST PRICE
Total Relief Valve Kit				
LEAD FREE	7010046	ARK C/M 400/500 VT	2 1/2" - 10"	\$ 1,268.00

Kit Includes: Complete RV w/36" Hose, RV O-Ring and Lube

	ORDERING CODE	KIT NO.	SIZE	LIST PRICE
LEAD FREE	7010047	ARK C/M 400/500 RV	2 1/2" - 10"	359.50

Kit Includes: RV Diaphragm, RV Piston, RV E-Clip, RV O-Ring and Lube



Repair Parts

Series C/M400, C/M500, LFC/LFM500 Relief Valve Sensing Lines

Colt

DESCRIPTION	USE FOR	ORDERING CODE	LIST PRICE
Hose 1/2 x 20"	2 1/2 – 4 C400, C500/LFC500	7018890	\$15.50
Hose 1/2 x 24"	2 1/2 & 3 C400 N & Z	7018891	17.75
	2 1/2 & 3 C500 N & Z		
Hose 1/2 x 30"	6 C400, 4 C400N, 2 1/2, 3, 4 C400Z, 6, 8 C500/LFC500 4, 6, 8 C500/LFC500 N & Z, 2 1/2, 3, 4 C500BFG/LFC500BFG, 2 1/2, 3, 4, 6 C500BFG/LFC500BFG N & Z	7018892	19.50
Hose 1/2 x 36"	8 & 10 C400, 6, 8, 10 C400 N & Z, 10 C500/LFC500 N & Z, 6 & 8 C500BFG/LFC500BFG N & Z	7018893	24.00

Maxim

DESCRIPTION	USE FOR	ORDERING CODE	LIST PRICE
Hose 1/2 x 20"	2 1/2 & 3 M400, M500/LFM500	7018890	\$15.50
Hose 1/2 x 24"	2 1/2 & 3 M400 N & Z	7018891	17.75
Hose 1/2 x 30"	6 M400, 2.5, 3, 4 M500/LFM500, 2 1/2, 3, 4 M400 N & Z, 2 1/2, 3, 4 M500/LFM500 N & Z, 2 1/2 & 3 M500/LFM500 N & Z BFG	7018892	19.50
Hose 1/2 x 36"	8 & 10 M400, 6, 8, 10 M400 N & Z, 4 & 6 M400BFG N & Z, 6, 8, 10 M500/LFM500, 6, 8, 10 M500/LFM500 N & Z 4 & 6 M500/LFM500BFG N & Z	7018893	24.00



*The wetted surface of this product contacted by consumable water contains less than 0.25% of lead by weight.