

Series 957, 957-FS, 957RPDA, LF957RPDA

Reduced Pressure Zone Assemblies Reduced Pressure Detector Assemblies

Sizes 2 1/2" – 10"

Check Valve Kits

When ordering specify Ordering Code, Kit No., and Valve Size.

ORDERING CODE	KIT NO.	DISC	SIZE	LIST PRICE
---------------	---------	------	------	------------

First Check Kits

7018129	RK 957/957RPDA CK1	EPDM	2 1/2" – 4"	\$540.50
0889370	RK 957/957RPDA CK1-RS	Red Silicone	2 1/2" – 4"	540.50
7018132	RK 957/957RPDA CK1	EPDM	6"	802.00
0889374	RK 957/957RPDA CK1-RS	Red Silicone	6"	802.00
7018135	RK 957/957RPDA CK1	Red Silicone	8"	1,275.00
0899215	RK 957/957RPDA CK1	Red Silicone	10"	1,731.00

Kit consists of: first check module, check module O-ring and disc elastomer.

Second Check Kits

0899216	RK 957/957RPDA CK2	EPDM	2 1/2" – 4"	510.50
0889371	RK 957/957RPDA CK2-RS	Red Silicone	2 1/2" – 4"	510.50
0899217	RK 957/957RPDA CK2	EPDM	6"	707.50
0889375	RK 957/957RPDA CK2-RS	Red Silicone	6"	707.50
0899218	RK 957/957RPDA CK2	Red Silicone	8"	1,173.00
0899219	RK 957/957RPDA CK2	Red Silicone	10"	1,474.00

Kit consists of: second check module, check module O-ring and disc elastomer.

First or Second Check Rubber Parts Kits

0899220	RK 957/957RPDA RC4	EPDM	2 1/2" – 4"	67.00
0889372	RK 957/957RPDA RC4-RS	Red Silicone	2 1/2" – 4"	67.00
0899221	RK 957/957RPDA RC4	EPDM	6"	85.50
0889376	RK 957/957RPDA RC4-RS	Red Silicone	6"	85.50
0899222	RK 957/957RPDA RC4	Red Silicone	8"	119.50
0899223	RK 957/957RPDA RC4	Red Silicone	10"	267.50

Kit consists of: check module O-ring, disc elastomer and E-clip.

Check Sleeve Cover Kits

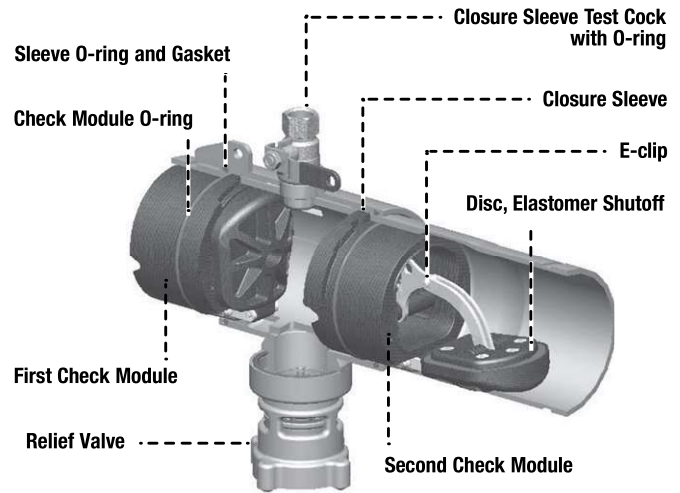
0899240	RK 957/957RPDA C		2 1/2" – 4"	645.50
0899241	RK 957/957RPDA C		6"	866.00
0899242	RK 957/957RPDA C		8"	1,478.00
0899243	RK 957/957RPDA C		10"	1,806.00

Kit consists of: closure sleeve, sleeve O-ring and gasket.

Total Rubber Parts Kits

0899244	RK 957/957RPDA RT	EPDM	2 1/2" – 4"	454.00
0889373	RK 957/957RPDA RT-RS	Red Silicone	2 1/2" – 4"	454.00
0899245	RK 957/957RPDA RT	EPDM	6"	488.50
0889377	RK 957/957RPDA RT-RS	Red Silicone	6"	488.50
0899246	RK 957/957RPDA RT	Red Silicone	8"	556.50
0899247	RK 957/957RPDA RT	Red Silicone	10"	911.50

Kit consists of: 1st and 2nd check module O-ring, (2) disc elastomer, (2) E-clips, relief valve diaphragm, relief valve inlet coupler O-ring and relief valve piston assembly.



Sensor Kits

ORDERING CODE	KIT NO.	DESCRIPTION	LIST PRICE
---------------	---------	-------------	------------

Sensor Connection Kits for 957-FS, 957RPDA-FS, LF957RPDA-FS sizes 2 1/2" to 10"

88009418	FP-BF-BMS-2 1/2-10	BMS Sensor Connection Kit	675.50
88009420	FP-BF-CFS-2 1/2-10	Cellular Sensor Connection Kit	1,690.00

Sensor Retrofit Connection Kits for 957, 957RPDA, LF957RPDA sizes 2 1/2" to 10"

88009419	FP-RFK-BF-BMS-CFS-2 1/2-10	BMS Sensor Retrofit Connection Kit	844.50
88009421	FP-RFK-BF-CFS-2 1/2-10	Cellular Sensor Retrofit Connection Kit	1,690.00

*The wetted surface of this product contacted by consumable water contains less than 0.25% of lead by weight.

2

Reduced Pressure Zone Assemblies

Series 957, 957-FS, 957RPDA, LF957RPDA

Reduced Pressure Zone Assemblies

Reduced Pressure Detector Assemblies

Sizes 2 1/2" – 10"

Relief Valve Kits

When ordering specify Ordering Code, Kit No., and Valve Size.

ORDERING CODE	KIT NO.	SIZE	LIST PRICE
---------------	---------	------	------------

Relief Valve Total Kits

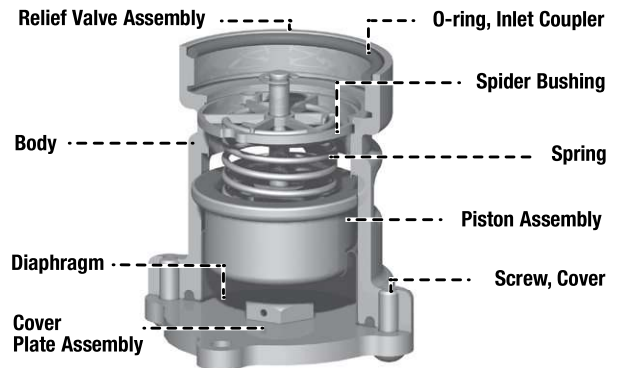
LEAD FREE	0899232	RK 957/957RPDA VT	2 1/2" – 10"	\$1,196.00
------------------	---------	-------------------	--------------	------------

Kit consists of: complete relief valve assembly.

Relief Valve Rubber Parts Kits

LEAD FREE	0899236	RK 957/957RPDA RV	2 1/2" – 10"	\$338.50
------------------	---------	-------------------	--------------	----------

Kit consists of: diaphragm, inlet coupler O-ring and piston assembly.



Sensor Kits

ORDERING CODE	KIT NO.	DESCRIPTION	LIST PRICE
---------------	---------	-------------	------------

Sensor Connection Kits for 957-FS, 957RPDA-FS, LF957RPDA-FS sizes 2 1/2" to 10"

88009418	FP-BF-BMS-2 1/2-10	BMS Sensor Connection Kit	675.50
88009420	FP-BF-CFS-2 1/2-10	Cellular Sensor Connection Kit	1,690.00

Sensor Retrofit Connection Kits for 957, 957RPDA, LF957RPDA sizes 2 1/2" to 10"

88009419	FP-RFK-BF-BMS-CFS-2 1/2-10	BMS Sensor Retrofit Connection Kit	844.50
88009421	FP-RFK-BF-CFS-2 1/2-10	Cellular Sensor Retrofit Connection Kit	1,690.00

*The wetted surface of this product contacted by consumable water contains less than 0.25% of lead by weight.