

Series 709DCDA

Double Check Detector Assemblies

Sizes 3" – 10"

Repair Kits

When ordering specify Ordering Code, Kit No., and Valve Size.

ORDERING CODE	KIT NO.	SIZE	LIST PRICE
First Check Kits			
0794024	LFRK 709DCDA-CK1	3"	\$1,007.00
0794025	LFRK 709DCDA-CK1	4"	1,403.00
0794026	LFRK 709DCDA-CK1	**6"	2,534.00
0794027	LFRK 709DCDA-CK1	8"	4,575.00
0794028	LFRK 709DCDA-CK1	10"	6,788.00

ORDERING CODE	KIT NO.	SIZE	LIST PRICE
Second Check Kits			
0794029	LFRK 709DCDA-CK2	3"	787.00
0794030	LFRK 709DCDA-CK2	4"	1,285.00
0794031	LFRK 709DCDA-CK2	**6"	2,217.00
0794032	LFRK 709DCDA-CK2	8"	4,053.00
0794033	LFRK 709DCDA-CK2	10"	5,457.00

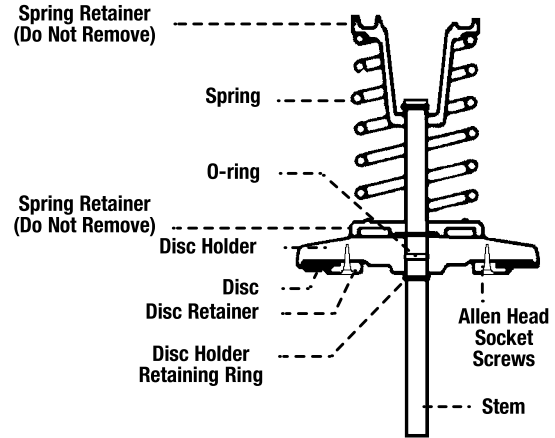
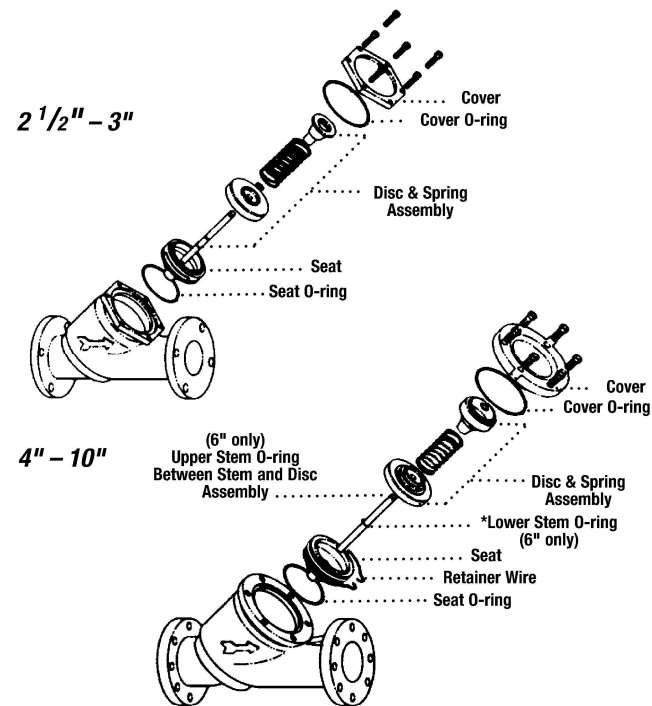
Kit consists of: disc assembly; spring and cover O-ring.

Rubber Parts (for one check)

ORDERING CODE	KIT NO.	SIZE	LIST PRICE
0887940	RK 709DCDA RC4	3"	120.50
0887941	RK 709DCDA RC4	4"	161.50
0887942	RK 709DCDA RC4	**6"	184.50
0887943	RK 709DCDA RC4	8"	221.50
0887944	RK 709DCDA RC4	10"	304.00

Kit consists of: disc and cover O-ring.

**6" also includes lower stem O-ring



WARNING

Spring assembly is factory assembled. DO NOT DISASSEMBLE.

ORDERING CODE	KIT NO.	SIZE	LIST PRICE
Seat Kits			
0794034	LFRK 709DCDA-S	3"	\$317.00
0794035	LFRK 709DCDA-S	4"	463.50
0794036	LFRK 709DCDA-S	6"	796.50
0794037	LFRK 709DCDA-S	8"	1,902.00
0794038	LFRK 709DCDA-S	10"	2,221.00

Kit consists of: seat; seat O-ring; cover O-ring and retainer wire.

Cover Kits

ORDERING CODE	KIT NO.	SIZE	LIST PRICE
0887950	RK 709DCDA C	3"	424.00
0887951	RK 709DCDA C	4"	477.00
0887952	RK 709DCDA C	6"	663.50
0887953	RK 709DCDA C	8"	1,087.00
0887954	RK 709DCDA C	10"	2,438.00

Kit consists of: cover and cover O-ring.

Complete Rubber Parts

ORDERING CODE	KIT NO.	SIZE	LIST PRICE
0887956	RK 709DCDA RT	3"	246.50
0887957	RK 709DCDA RT	4"	328.50
0887958	RK 709DCDA RT	**6"	372.50
0887959	RK 709DCDA RT	8"	451.00
0887960	RK 709DCDA RT	10"	615.50

Kit consists of: 2 discs and 2 cover O-rings.

**6" also includes upper and lower stem O-ring

*The wetted surface of this product contacted by consumable water contains less than 0.25% of lead by weight.