

RPLF4AN Series

Reduced Pressure Principle Backflow Preventer

LEAD FREE



TriForce™ Check



Job Name:	
Job Location:	
Engineer:	
Contractor:	
Tag:	
PO#:	
Rep:	
Wholesale Dist.:	

DESCRIPTION

The 2-1/2" - 12" Reduced Pressure Principle Backflow Preventer shall be an Apollo® Model RPLF4AN lead free*. The assembly shall be manufactured in America and carry a 5-year Apollo® factory warranty. The normally vertical up / vertical down (n-shape) oriented body shall incorporate an internal swivel connection providing the ability to pivot the second check 180°, producing a vertical up RP assembly. The TriForce™ center-stem guided check valves shall feature reversible silicone rubber seat discs. The check valves shall be held in place by drop-in retainers (2-1/2" - 6") or SS studs & nuts (8" - 12"). Access to the check valves and relief valve internals shall be by an Apollo® quick-connect SS coupling (2-1/2" - 6") or grooved couplings (covers) and SS bolts (relief valves) (8" - 12"). The bodies shall be domestic SS in 2-1/2" - 8" sizes and FDA epoxy coated ductile iron in 10" & 12" sizes. The lead free* Apollo® domestic ball valve test cocks shall have SS handles. The assembly shall prevent contamination of the potable water supply due to back-siphonage or backpressure from substances that are health or non-health hazards. The pressure drop across the assembly shall be documented by an independent laboratory.

FEATURES

- Domestic Stainless Steel Body: 2-1/2" - 8"
- FDA Epoxy Coated Ductile Iron Body: 10" & 12"
- Easy Maintenance - No Special Tools Required
- Snap-In Check Retainers: 2-1/2" - 6"
- Bolted-In Checks: 8" - 12"
- Low Pressure loss as Documented by an Independent Laboratory
- Center-Stem Guided TriForce™ Check Valves
- Small Installation Space Required - Small Footprint
- Approved for n-Flow (2-1/2" - 12") and Vertical Flow Up (2-1/2" - 8")
- US Patents: 6,443,184; 7,025,085; 7,533,699; 8,240,333
- Made in the USA

PERFORMANCE RATING

- Maximum Working Pressure: 175 psi
- Temperature Range: 33 ° F - 140 ° F
- Hydrostatic Test Pressure: 350 psi

APPROVALS

- Sizes 2-1/2" - 8": AWWA C511
- Sizes 2-1/2" - 12": ASSE 1013-2011, CSA B64.4, FM, IAPMO, UL*, cUL*
- *UL and cUL installations Must Include Indicating-Type Shut-Off Valves
- NSF/ANSI 61 Lead Free (2-1/2" - 12")
- NSF/ANSI 372 Water Quality (2-1/2" - 12")
- Approved by the Foundation for Cross-Connection Control and Hydraulic Research at the University of Southern California (2-1/2" - 8")

STANDARD MATERIALS LIST

BODY (2-1/2" - 8")	304 Stainless Steel
BODY (10" & 12")	FDA Epoxy Coated Ductile Iron
COVERS (2-1/2" - 6")	Glass Filled PPO/SS
COVERS (8")	304 Stainless Steel
COVERS (10" & 12")	FDA Epoxy Coated Ductile Iron
RELIEF VALVE	Bronze (C84400/LF C89836)
CHECK VALVES	Bronze/Glass-Filled PPO/SS
SPRINGS	Stainless Steel
SEAT DISCS	Chloramine-Resistant Silicone

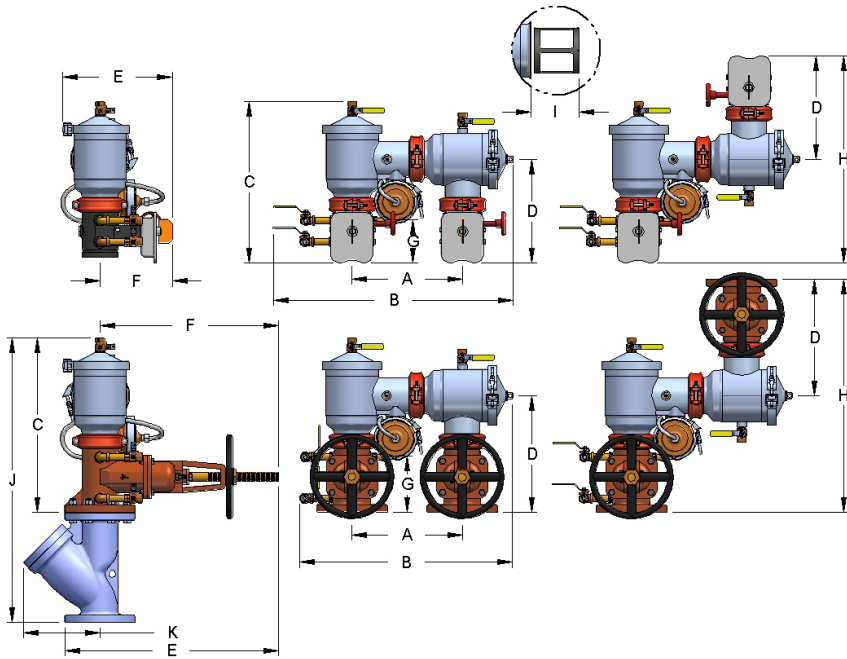
PART NUMBER MATRIX

4ANLF	2 X	X	0 X	X
	Y-STRAINER	SIZE	SHUT-OFF VALVES	OPTIONS
4ANLF - LEAD FREE	0 - STANDARD	9 - 2-1/2"	1 - LESS SHUT-OFF VALVES	D - DOMESTIC ASSEMBLY
	1 - W/ Y-STRAINER (SHIPPED LOOSE)	0 - 3"	2 - NRS FLANGE X NRS FLANGE	
		A - 4"	3 - OS&Y FLANGE X OS&Y FLANGE	
		C - 6"	4 - OS&Y FLANGE X MONITORED (MON.) BUTTERFLY VALVE GROOVE [†]	
		E - 8"	6 - OS&Y FLANGE X POST INDICATOR FLANGE	
		G - 10"	7 - OS&Y FLANGE X OS&Y GROOVE	
		H - 12"	8 - OS&Y GROOVE X OS&Y GROOVE	
			9 - MON. BUTTERFLY VALVE GROOVE X MON. BUTTERFLY VALVE GROOVE [†]	
			10 - OS&Y FLANGE X POST INDICATOR GROOVE	
			11 - NRS GROOVE X NRS GROOVE	
			12 - NRS FLANGE X NRS GROOVE	
			13 - POST INDICATOR FLANGE X MON. BUTTERFLY VALVE GROOVE [†]	
			14 - POST INDICATOR FLANGE X POST INDICATOR FLANGE	
			16 - MON BUTTERFLY VALVE GROOVE X POST INDICATOR FLANGE [†]	
			17 - POST INDICATOR FLANGE X OS&Y GROOVE	
			18 - OS&Y GROOVE X POST INDICATOR GROOVE	
			19 - MON. BUTTERFLY VALVE GROOVE X POST INDICATOR GROOVE	
			20 - POST INDICATOR FLANGE X OS&Y FLANGE	
			21 - POST INDICATOR GROOVE X OS&Y GROOVE	
			22 - POST INDICATOR GROOVE X MON. BUTTERFLY VALVE GROOVE [†]	
			23 - MON. BUTTERFLY VALVE GROOVE X OS&Y FLANGE	

EXAMPLE: 4A 215 A4LL = 4" size Reduced Pressure Assembly with OS&Y flanged inlet x OS&Y grooved outlet shut-off valves

[†] Butterfly valves not available in 12" size.

*LEAD FREE: The wetted surfaces of this product shall contain no more than 0.25% lead by weighted average. Complies with Federal Public Law 111-380. ANSI 3rd party approved and listed.



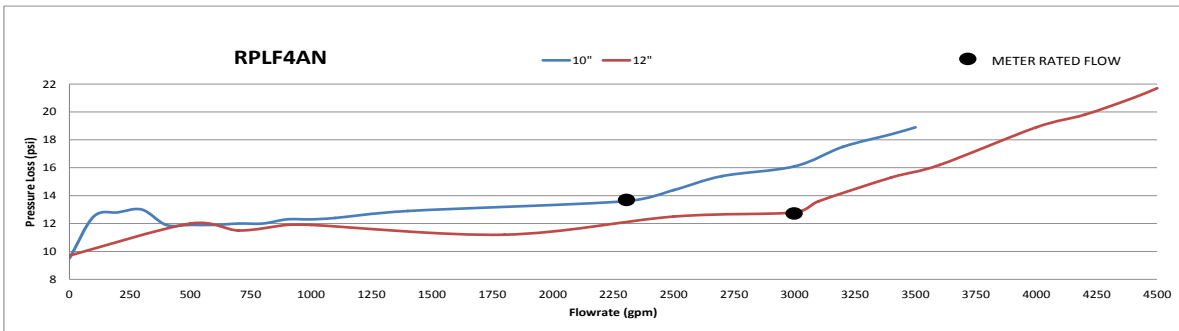
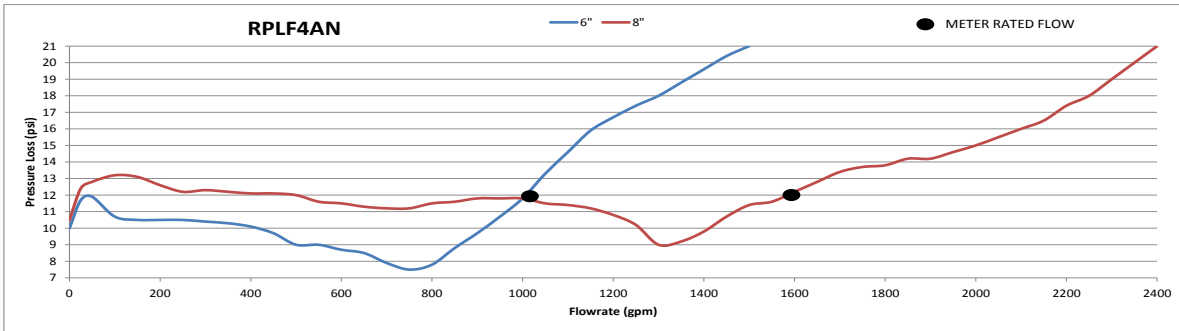
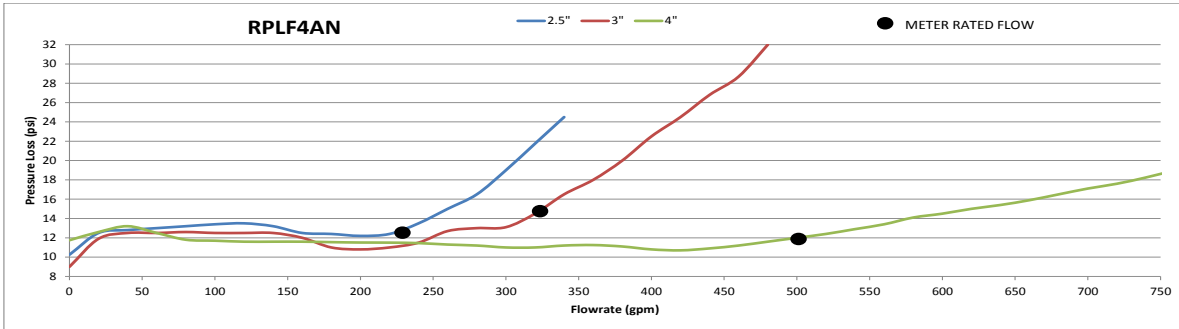
DIMENSIONS

DIMENSIONS	2-1/2"	65MM	3"	80MM	4"	100MM	6"	150MM	8"	200MM	10"	250MM	12"	300MM
A (Centerline to Centerline)	12-1/2 ±	318 ±	12-1/2 ±	318 ±	14 ±	356 ±	16 ±	406 ±	18-1/2 ±	470 ±	21 ±	533 ±	26-3/4 ±	675 ±
B (Butterfly Valves)	27-1/2 ±	699 ±	27-1/2 ±	699 ±	30-3/4 ±	781 ±	36 ±	914 ±	37-3/8 ±	949 ±	43 ±	1092 ±	N/A	N/A
B (Gate Valves)	24-1/2 ±	622 ±	24-1/2 ±	622 ±	27 ±	686 ±	32 ±	813 ±	40-3/4 ±	1035 ±	49 ±	1245 ±	55-3/4 ±	1416 ±
C (Butterfly Valves)	18-1/4	468	18-1/2	470	20	508	24-3/4	629	28-1/2	724	37	940	N/A	N/A
C (Gate Valves)	19-5/8	498	20	508	22-1/2	572	27-3/4	705	32-1/8	816	40	1016	44	1118
D (Butterfly Valves)	11-1/2	292	11-3/4	298	12-1/2	318	14-1/2	368	17-7/8	454	19-3/4	502	N/A	N/A
D (Gate Valves)	13	330	13-1/2	343	14-7/8	378	18	457	21-3/8	543	24-3/4	629	28-3/4	730
E (Butterfly Valves)	11-1/2	292	12-1/8	308	12-7/8	327	15-7/8	403	22-1/4	565	23-1/8	587	N/A	N/A
E (OS&Y Open)	21-7/8	556	23-7/8	606	25-5/8	652	35-1/2	902	45-1/8	1146	56-3/4	1441	62-3/4	1594
E (NRS/PI)	15-5/8	398	16-7/8	429	18-5/8	474	23-3/4	603	29-1/8	739	36-1/4	921	40	1016
F (Butterfly Valves)	8	203	8-3/8	213	9	229	10-7/8	276	12-7/8	327	13-1/2	343	N/A	N/A
F (OS&Y Open)	18	457	20	508	21	533	29-1/2	749	37	940	45	1143	53-1/8	1349
F (NRS/PI)	11-3/4	298	13	330	14	356	17-3/4	451	21	573	24-1/2	622	30	762
G (Butterfly Valves)	4-1/8	105	4-1/2	114	4-3/8	111	6-1/2	165	5-1/4	133	4	102	N/A	N/A
G (Gate Valves)	5-1/2	140	6	152	6	152	9	229	9	229	9	229	10	254
H (Butterfly Valves)	23	584	23-1/2	597	25	635	29	737	35-3/4	908	N/A	N/A	N/A	N/A
H (Gate Valves)	26	660	27	686	29-3/4	756	36	914	42-3/4	1086	N/A	N/A	N/A	N/A
I (Check Removal Clearance)	6	152	6	152	6	152	8	203	8-1/2	216	12	305	12	305
J	30-1/2	775	31-5/8	803	36-1/2	927	46-3/8	1178	53-5/8	1362	66-1/8	1680	74-1/8	1883
K	8	203	8-3/4	222	9-1/2	241	12-5/8	321	16-3/8	416	19	483	22	559
Test Cocks (NPT)	1/2"	15	1/2"	15	1/2"	15	3/4"	20	3/4"	20	3/4"	20	3/4"	20
WEIGHTS	LB.	KG	LB.	KG	LB.	KG	LB.	KG	LB.	KG	LB.	KG	LB.	KG
Net Wt. (Less Shut-offs)	39	18	39	18	48	22	83	38	325	147	841	381	966	438
Net Wt. (w/ Butterfly Valves)	66	30	69	31	92	42	151	69	456	207	1019	462	N/A	N/A
Net Wt. (w/NRS Gate Valves)	125	57	150	68	197	89	322	146	788	357	1487	674	2103	954
Net Wt. (w/ OS&Y Gate Valves)	135	61	160	73	203	92	332	151	802	364	1509	684	2157	978

Notes:
 Nominal dimensions are shown. Allowances must be made for manufacturers' tolerances.
 Internal body connections are grooved on 2 1/2" - 10" sizes.
 Internal body connections are flanged on 12" size.
 Strainer option only available for flanged-end shut-off options.

FLOW CURVES

Pressure loss versus flow data as determined by independent approval agencies.



● Meter Rated Flow