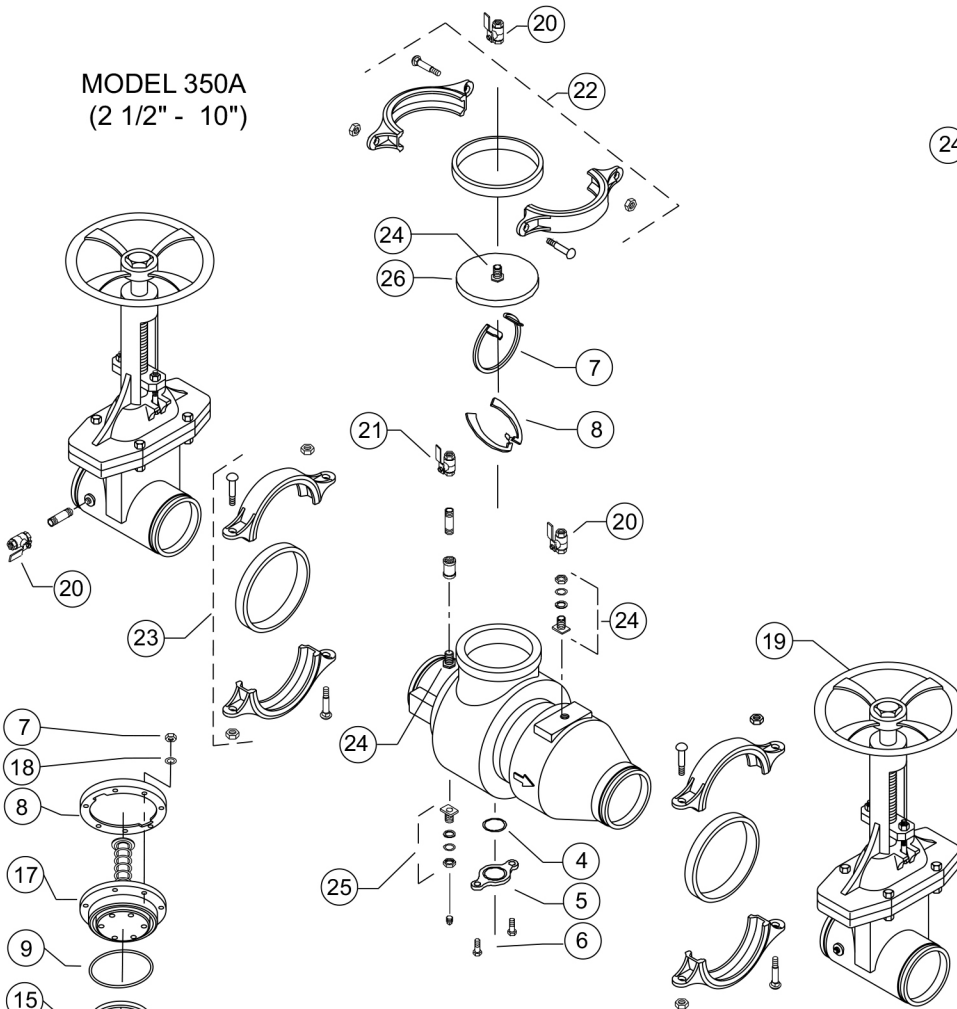


MODEL 350A and 350

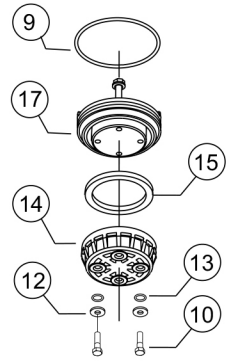
Double Check – Backflow Preventers 350A (2-1/2" to 10") and 350 (4" to 12")

Parts Drawing

MODEL 350A
(2 1/2" - 10")

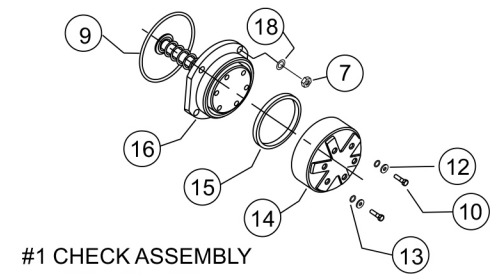


#1 CHECK ASSEMBLY
(350 4" & 6")
(350A 2 1/2" & 6")



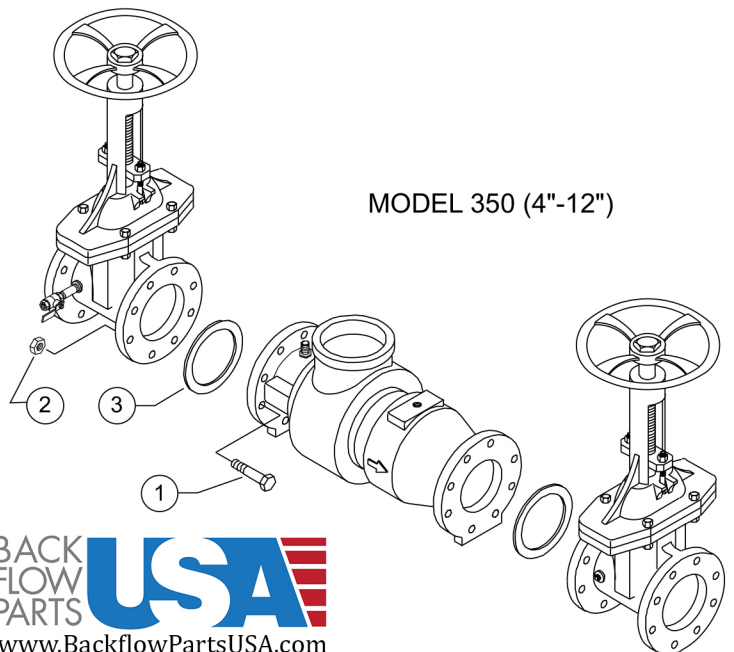
#2 CHECK ASSEMBLY
(350 4" & 6")
(350A 2 1/2" - 6")

#2 CHECK ASSEMBLY
(350 8" - 12")
(350A 8" & 10")



#1 CHECK ASSEMBLY
(350 8" - 12")
(350A 8" & 10")

MODEL 350 (4"-12")



BACKFLOW PARTS USA
www.BackflowPartsUSA.com

AZ 888-396-6202
CA 909-316-7057



MODEL 350A and 350

Double Check – Backflow Preventers 350A (2-1/2" to 10") and 350 (4" to 12")

Repair Kit Components		2-1/2" - 4"						4"		6"						8"		8" - 12"				10"	12"		
Size Range	RK212-350-COVERPLATE	RK4-350	RK4-350CK1	RK4-350CK2	RK4-LBF-SEAL-RTNR	BRK4-LBF-SEATRTNR	BRK4-LBF-SEAT2RTNR	RK4-350-SEAT2-ASSY	4-BK	RK6-350	RK6-350CK1	RK6-350CK2	RK6-350-SEAT2-ASSY	BRK6-LBF-SEATRTNR	BRK6-LBF-SEAT2RTNR	6-BK	8-BK	RK8-350	RK8-350CK1	RK8-350CK2	RK8-350-SEAT1-ASSY	RK8-350-SEAT2-ASSY	RK8-350-COVERPLATE	10-BK	12-BK
2-1/2"	•	•	•	•	•	•	•																		
3"	•	•	•	•	•	•	•																		
4"	•	•	•	•	•	•	•	•	•																
6"										•	•	•	•	•	•	•									
8"																	•	•	•	•	•	•	•	•	•
10"																		•	•	•	•	•	•	•	•
12"																		•	•	•	•	•	•	•	•

Item #	Item Description	2-1/2"	3"	4"	6"	8"	10"	12"
1	Bolt, Flange			•(x16)		•(x16)		•(x24)
2	Nut, Flange			•(x16)		•(x16)		•(x24)
3	Gasket, Flange			•(x2)		•(x2)		•(x2)
4	O-Ring, Cover Plate	•						•
5	Cover Plate	•						•
6	Bolt, Cover Plate	•(x2)						•(x2)
7	Seat Retainer #1		•	•(x6)		•(x6)		
8	Seat Retainer #2			•(x12)		•(x12)		
9	O-Ring, Check	•(x2)	•		•(x2)	•		•(x2)
10	Bolt, Poppet Retainer		•(x4)	•(x4)		•(x4)	•(x4)	•(x6)
11	Handle, #1 Poppet Assembly		•					
12	Washer, Poppet Bolt		•(x4)	•(x4)		•(x4)	•(x4)	•(x6)
13	O-Ring, Poppet Bolt	•(x8)	•(x4)	•(x4)	•(x4)	•(x4)	•(x4)	•(x6)
14	Poppet Retainer		•	•		•	•	
15	Seal Ring	•(x2)	•		•(x2)	•		•(x2)
16	Seat Assembly, #1 Poppet		•					•
17	Seat Assembly, #2 Poppet			•				•
18	Washer, Seat Retainer							•(x4)

Whole Goods (Available for individual sale)									
Item #	Item Description	2-1/2"	3"	4"	6"	8"	10"	12"	
19	Gate Valve, NRS (FxF)	212-48	3-48	4-48	6-48	8-48	10-48	12-48	
	Gate Valve, NRS (GxG)	212-48G	3-48G	4-48G	6-48G	8-48G	10-48G	12-48G	
	Gate Valve, NRS (GxF)	212-48GXF	3-48GXF	4-48GXF	6-48GXF	8-48GXF	10-48GXF	12-48GXF	
	Gate Valve, OS&Y (FxF)	212-48OSY	3-48OSY	4-48OSY	6-48OSY	8-48OSY	10-48OSY	12-48OSY	
	Gate Valve, OS&Y (GxG)	212-48OSYG	3-48OSYG	4-48OSYG	6-48OSYG	8-48OSYG	10-48OSYG	12-48OSYG	
	Gate Valve, OS&Y (GxF)	212-48OSYGF	3-48OSYGF	4-48OSYGF	6-48OSYGF	8-48OSYGF	10-48OSYGF	12-48OSYGF	
	Butterfly Valve (GxG)	212-49G	3-49G	4-49G	6-49G	8-49G	10-49G	12-49G	
	Butterfly Valve (GxF)	212-49GXF	3-49GXF	4-49GXF	6-49GXF	8-49GXF	10-49GXF	12-49GXF	
20	Ball Valve, FxF		12-850XL				34-850XL		
21	Ball Valve, MxF		12-850MXL				34-850MXL		
22	Cover Retainer Assembly			6-23		8-23		12-23	
23	Grooved Coupling	4X212-23	4X3-23	4-23	6-23	8-23	10-23	12-23	
24	Bulkhead Fittings				BHFICXL-100				
25	Sensing Line Bulkhead Fittings				BHFIBXL-100				
26	Cover		RK4-LBF-VALVE-COVER		RK6-LBF-VALVE-COVER		RK8-LBF-VALVE-COVER		

Item No.	Repair Kit Description
	2-1/2" - 4"
RK212-350-COVERPLATE	Cover Plate Repair Kit, 2-1/2" - 4" 350A
RK4-350	Standard Repair Kit, 2-1/2" - 4" 350A
RK4-350CK1	#1 Check Assembly Repair Kit, 2-1/2" - 4" 350A
RK4-350CK2	#2 Check Assembly Repair Kit, 2-1/2" - 4" 350A
RK4-LBF-SEAL-RTNR	Poppet Retainer Repair Kit, 2-1/2" - 4" 350A
BRK4-LBF-SEATRTNR	Bulk #1 Seat Retainer Kit, 2-1/2" - 4" 350A
BRK4-LBF-SEAT2RTNR	Bulk #2 Seat Retainer Kit, 2-1/2" - 4" 350A
	4"
RK4-350-SEAT2-ASSY	#1 & #2 Seat Assembly Repair Kit, 4" 350A
4-BK	Flanged Kit, 4"

Item No.	Repair Kit Description
	6"
RK6-350	Standard Repair Kit, 6" 350A
RK6-350CK1	#1 Check Assembly Repair Kit, 6" 350A
RK6-350CK2	#2 Check Assembly Repair Kit, 6" 350A
RK6-350-SEAT2-ASSY	#1 and #2 Seat Assembly Repair Kit, 6" 350A
BRK6-LBF-SEATRTNR	Bulk #1 Seat Retainer Kit, 6" 350A
BRK6-LBF-SEAT2RTNR	Bulk #2 Seat Retainer Kit, 6" 350A
6-BK	Flanged Kit, 6"
	8"
8-BK	Flanged Kit, 4"

Item No.	Repair Kit Description
	8" - 12"
RK8-350	Standard Repair Kit, 8" - 12" 350A
RK8-350CK1	#1 Check Assembly Repair Kit, 8" - 12" 350A
RK8-350CK2	#2 Check Assembly Repair Kit, 8" - 12" 350A
RK8-350-SEAT1-ASSY	#1 Seat Assembly Repair Kit, 8" - 12" 350A
RK8-350-SEAT2-ASSY	#2 Seat Assembly Repair Kit, 8" - 12" 350A
RK8-350-COVERPLATE	Cover Plate Repair Kit, 8" - 12" 350A
	10"
10-BK	Flanged Kit, 10"
	12"
12-BK	Flanged Kit, 12"