

Series 909RPDA

Reduced Pressure Detector Assemblies

2 1/2" – 10"

Relief Valve Kits

When ordering specify Ordering Code, Kit No., and Valve Size.

**M1 = Cast iron relief valve.

ORDERING CODE	KIT NO.	SIZE	LIST PRICE
---------------	---------	------	------------

Relief Valve Rubber Parts

LEAD FREE	ORDERING CODE	KIT NO.	SIZE	LIST PRICE
	0794111	LFRK 909RPDA-RV	2 1/2" – 3"	\$186.00
	0794112	LFRK 909RPDA-RV	4" – 10"	245.50

Kit consists of: sleeve O-ring, seat O-ring, piston O-ring, stem O-ring, RV disc assembly, diaphragm, piston seal, bottom plug O-ring, adapter O-ring and lubricant.

Relief Valve Total

LEAD FREE	ORDERING CODE	KIT NO.	SIZE	LIST PRICE
	0887268	RK 909RPDA VT	Bronze Body 4" – 6"	737.50
	0794115	LFRK 909RPDA-VT	Cast Iron Body 2 1/2" – 3"	361.00
	0794116	LFRK 909RPDA-VT	4" – 10"	673.50

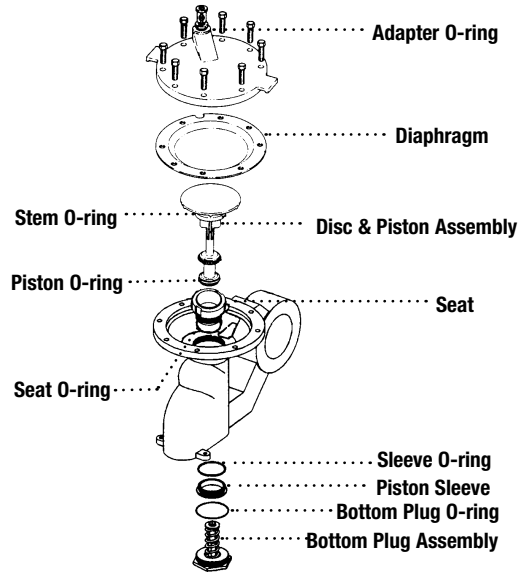
Kit consists of: diaphragm, disc & piston assembly, seat, seat O-ring, adapter O-ring and lubricant. (Sizes 4"–10"M1 includes bottom plug & spring assembly.)

Total Rubber Parts Kits

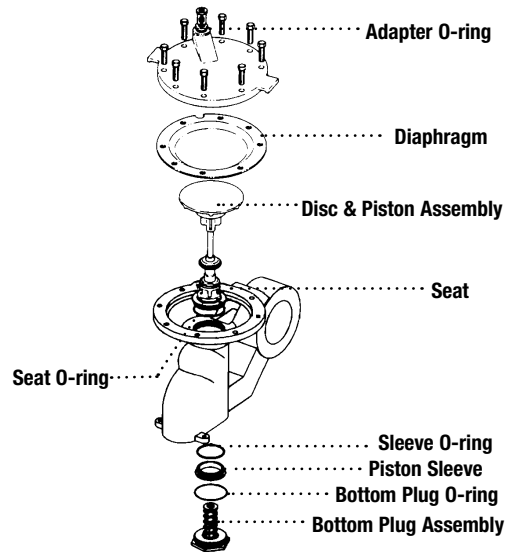
LEAD FREE	ORDERING CODE	KIT NO.	SIZE	LIST PRICE
	0794123	LFRK 909RPDA-RT	8"	503.00
	0794119	LFRK 909RPDA-RT	2 1/2" – 3"	330.00
	0794120	LFRK 909RPDA-RT	4"	436.50
	0794121	LFRK 909RPDA-RT	6"	458.00
	0794125	LFRK 909RPDA-RT	10"	598.00

Kit consists of: upper and lower check stem O-ring (6" only), check disc, cover O-ring, sleeve O-ring, piston O-ring, RV disc assembly, diaphragm, piston seat and lubricant.

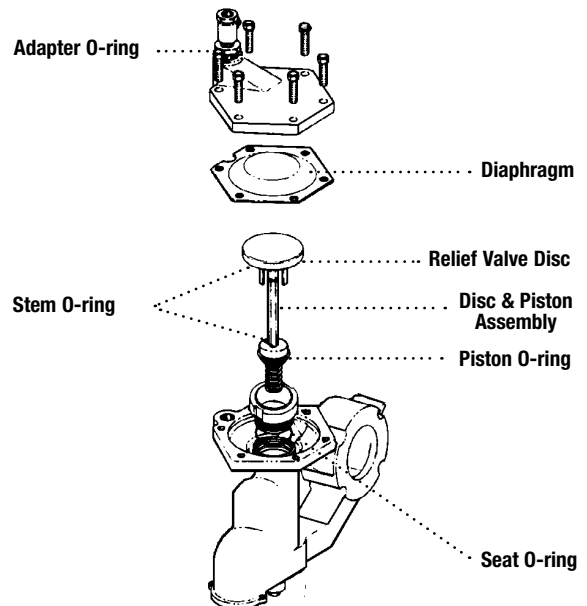
4" – 10"



8"M1, 10"M1



2 1/2", 3"



2

Reduced Pressure Zone Assemblies

Series 909RPDA

Reduced Pressure Detector Assemblies

2 1/2" – 10"

Check valve kits

When ordering specify Ordering Code, Kit No., and Valve Size.

ORDERING CODE	KIT NO.	SIZE	LIST PRICE
---------------	---------	------	------------

First Check Kits

0794126	LFRK 909RPDA-CK1	2 1/2" – 3"	\$557.50
0794127	LFRK 909RPDA-CK1	4"	775.50
0794128	LFRK 909RPDA-CK1	6"	1,400.00
0794129	LFRK 909RPDA-CK1	8"	2,527.00
0794130	LFRK 909RPDA-CK1	10"	3,751.00

Second Check Kits

0794131	LFRK 909RPDA-CK2	2 1/2" – 3"	445.00
0794132	LFRK 909RPDA-CK2	4"	710.00
0794133	LFRK 909RPDA-CK2	6"	1,225.00
0794135	LFRK 909RPDA-CK2	10"	3,014.00

Kit consists of: disc & spring assembly, cover O-ring and lubricant.

First Check Rubber Parts Kits

0887249	RK 909RPDA RC1	2 1/2" – 3"	69.00
0887250	RK 909RPDA RC1	4"	91.00
0887251	RK 909RPDA RC1	6"	103.50
0887252	RK 909RPDA RC1	8"	125.00
0887253	RK 909RPDA RC1	10"	170.00

Second Check Rubber Parts Kits

0887254	RK 909RPDA RC2	2 1/2" – 3"	69.00
0887255	RK 909RPDA RC2	4"	91.00
0887256	RK 909RPDA RC2	6"	103.50
0887257	RK 909RPDA RC2	8"	125.00
0887258	RK 909RPDA RC2	10"	170.00

Kit consists of: upper and lower check stem O-ring (6" only), check disc, cover O-ring and lubricant.

Seat Kits

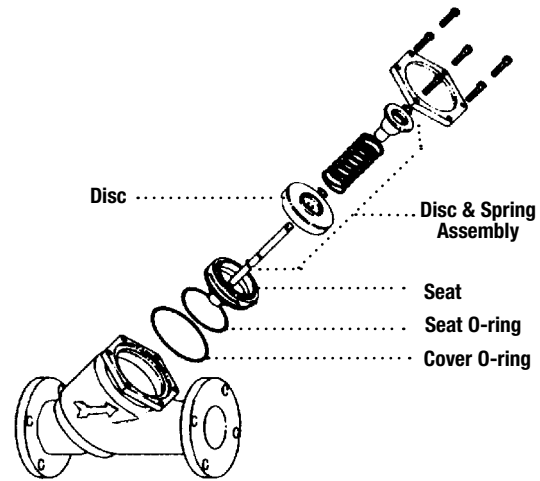
0794136	LFRK 909RPDA-S	2 1/2" – 3"	176.50
0794137	LFRK 909RPDA-S	4"	257.50
0794138	LFRK 909RPDA-S	6"	441.00
0794139	LFRK 909RPDA-S	8"	1,051.00
0794140	LFRK 909RPDA-S	10"	1,227.00

Kit consists of: seat, seat O-ring, cover O-ring, retainer wires and lubricant.

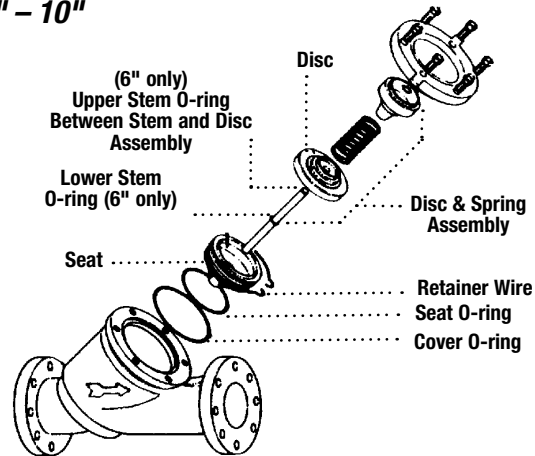
Cover Kits for Checks

0887745	RK 909RPDA C	2 1/2" – 3"	233.00
0887746	RK 909RPDA C	4"	261.00
0887747	RK 909RPDA C	6"	364.00
0887748	RK 909RPDA C	8"	595.50
0887749	RK 909RPDA C	10"	1,332.00

2 1/2" – 3"



4" – 10"



⚠ WARNING

Spring assembly is factory assembled. DO NOT DISASSEMBLE.

*The wetted surface of this product contacted by consumable water contains less than 0.25% of lead by weight.